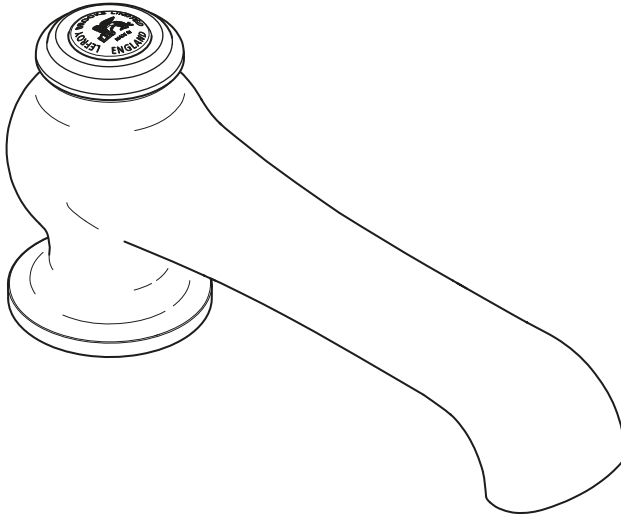


I240 / I242 / I261
DECK MOUNTED BATH SPOUTS
INSTALLATION GUIDE

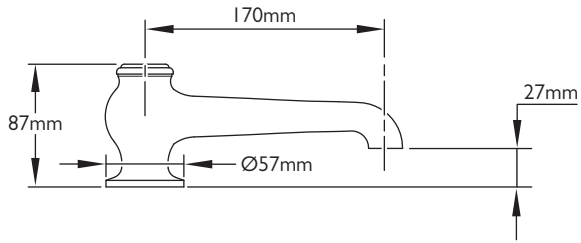


LEFROY BROOKS

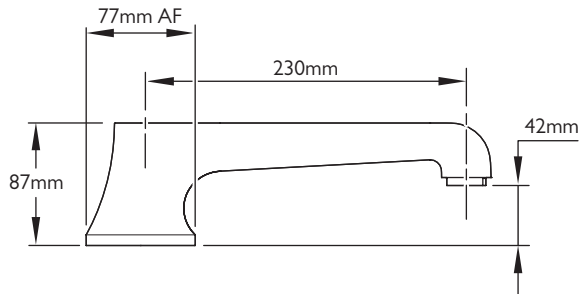
DIMENSIONS

Spouts

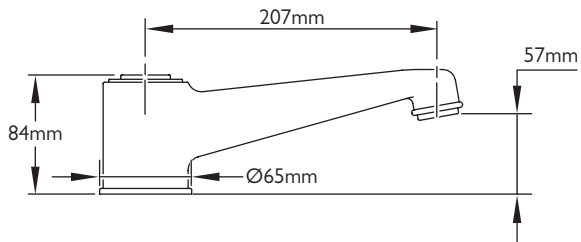
Classic (1240)



Mackintosh (1261)

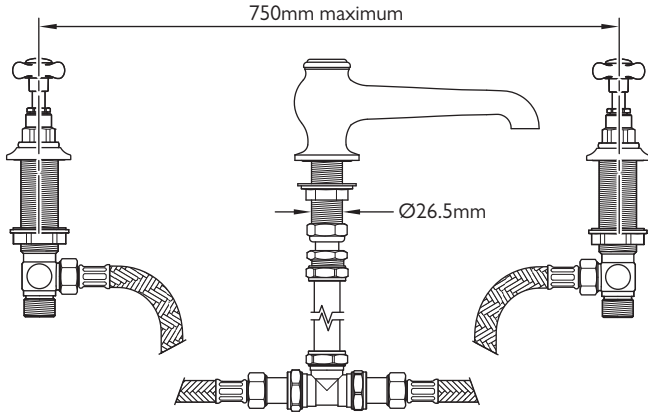


Janey Mac (1242)



DIMENSIONS

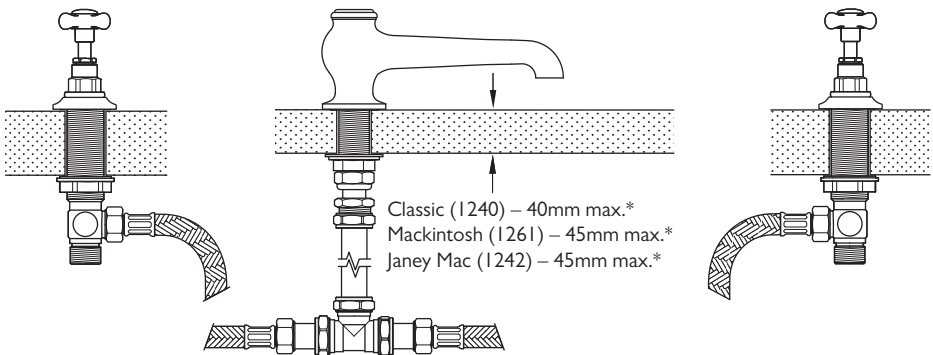
General



Note:

Flexible hoses are supplied to achieve recommended layout. If the desired layout exceeds the recommended dimensions (as shown) the valves can be installed using standard pipework & connectors.

Mounting surfaces

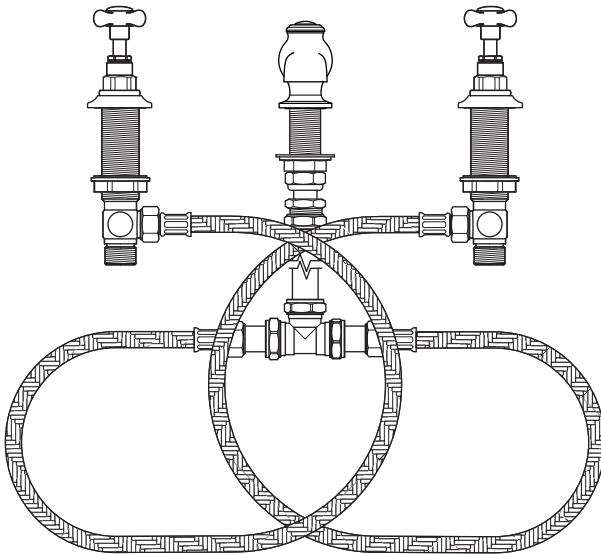
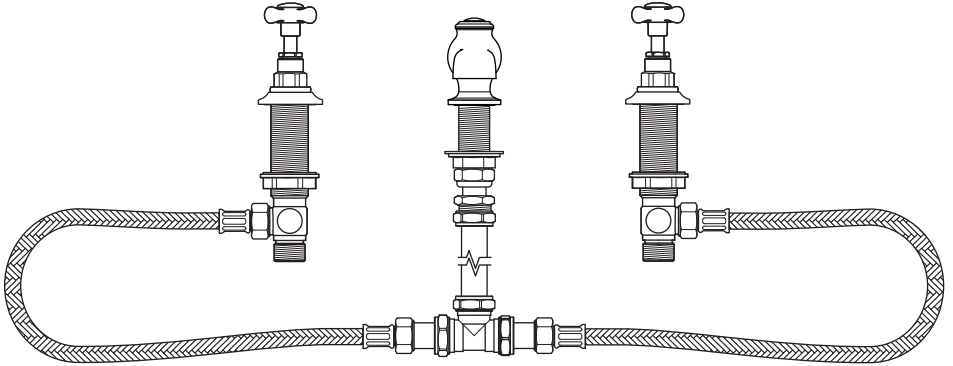


* When mounting the complete set to a single mounting surface the maximum depth of the mounting surface is that specified above for the spout.

FLEXIBLE HOSE CONNECTIONS

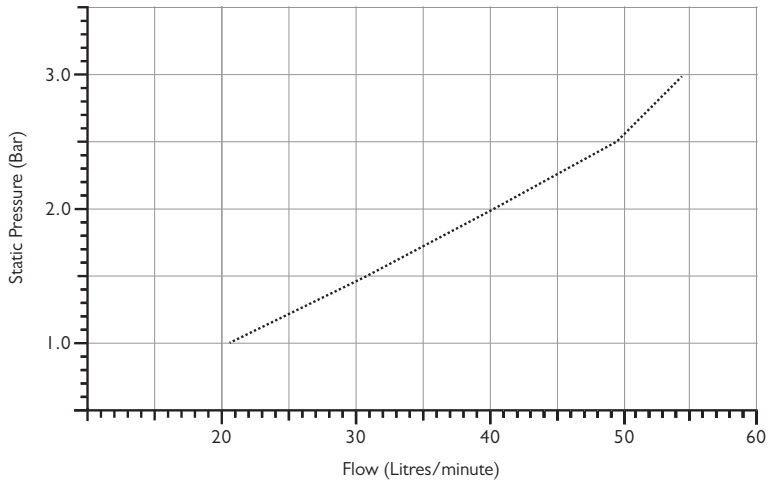
It is recommended that the flow valves and hoses are installed as shown.

It is important to avoid bends that are tight and flatten the hose as this will reduce flow and damage the hose.

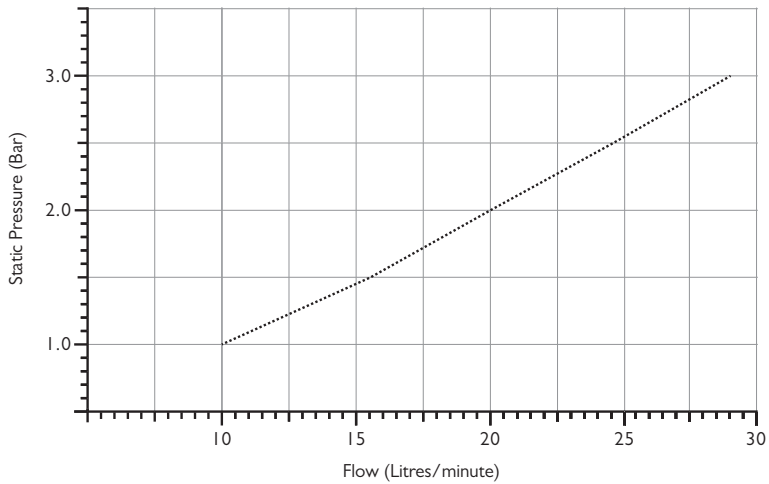


TYPICAL FLOW RATES

Classic (1240) & Mackintosh (1261)



Janey Mac (1242)



Note: Balanced pressures shown are applied directly to the hot and cold inlets; flow rates indicated are free flowing and may vary subject to restrictions created by installation, pipework, layout or application.

IMPORTANT INFORMATION

Professional installation

We recommend that our products are fitted by a fully qualified professional plumber. They should be installed correctly and in accordance with all local water regulations and the system protected by non-return valves (not supplied). All products should be accessible for routine servicing.

Suits all systems

This Lefroy Brooks product is potentially suitable for every possible application, type of boiler and water supply pressure. However, if your supply pressure is below 1 bar it is advisable to fit a water pump. For systems with combination boilers, it is not advisable to fit pumps (refer to boiler manufacturer).

Water quality

In hard water areas, a suitable water treatment system should be provided to prevent limescale deposits (calcium deposits) which may effect the long term exterior finish. Exterior surfaces should be gently wiped with a dry soft cloth after use to minimise water stains and limescale deposits.

Supply connections

Connect the hot and cold supplies to the bottom inlet of the side valves using standard G $\frac{3}{4}$ (¾" BSP) connections.

Flushing system

It is most important to flush out all pipework thoroughly before connecting the product. Failure to do so is the single most common cause of ceramic cartridge failure.

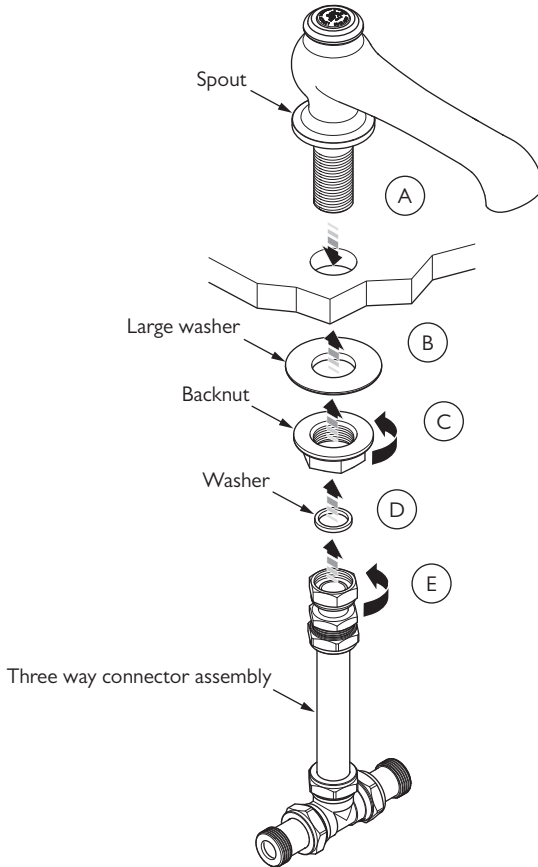
Servicing

Suitable access should be available to aid any future maintenance/servicing. Installing isolation valves will make servicing much easier (not supplied).

All serviceable parts are available to maintain your Lefroy Brooks product (contact retailer for details).

SPOUT INSTALLATION

Shown with classic spout. The same procedure applies to all spouts.



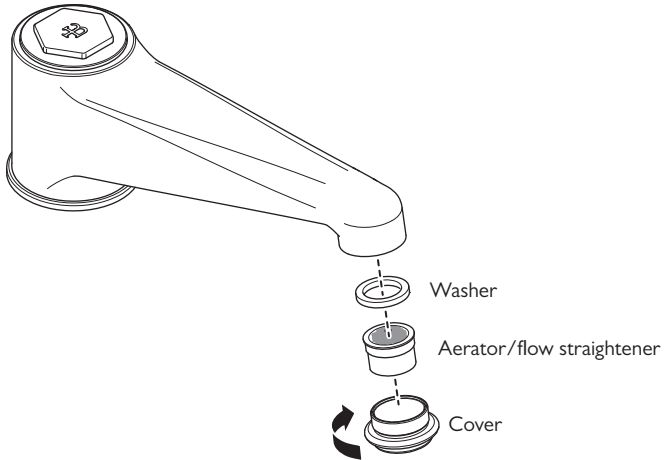
- 1 Where necessary drill a suitable sized hole in the mounting surface.
- 2 Pass the threaded tail of the spout through the hole in the mounting surface (A). Align the spout.
- 3 Locate the large washer (B) onto the threaded tail.
- 4 Screw the backnut (C) onto the threaded tail and tighten to secure the spout.
- 5 Ensure that the three way connector assembly washer (D) is in place. Locate the three way connector assembly in the required orientation and hand tighten the upper nut. Using two spanners to prevent the rotation of other joints, retain the position of the hexagonal form below the nut and then tighten the upper nut to secure (E).
- 6 Connect the hoses to the flow valves and three way connector. Turn on both flow valves and check all joints and connections for leaks.

FLOW VALVE INSTALLATION

For flow valve installation guidelines refer to the separate guide 'Deck mounted flow valves'.

SERVICING – CLEANING THE SPOUT AERATOR/FLOW STRAIGHTENER

Shown with model 1242 spout. The same procedure applies to the 1261 model.
Not applicable on 1240 model.



1 There is an aerator/flow straightener located in the end of the spout. To remove this unscrew and remove the cover.

- 2 The aerator/flow straightener can be cleaned in warm soapy water or replaced.
- 3 Assemble in the reverse order.

FAULT FINDING

The hot/cold flow valves are turned off but the spout drips continuously.

- Replace the ceramic cartridge(s). Refer to the separate guide 'Deck mounted flow valves'.

Water flow from the spout is reduced.

- On I242 and I261 models debris from the water supply may be causing restriction at the aerator/flow straightener located in the end of the spout. The aerator/flow straightener can be removed for cleaning or replacement (see 'servicing – cleaning the spout aerator/flow straightener' section).
- Check that there are no tight bends in the flexible hoses.

Noisy operation.

- Check that there are no tight bends in the flexible hoses.
- Reduce water pressure.

Leaks from underside of bath.

- Flexible hose joints not tight.
- Three way connector joints not tight.

REPLACEMENT PARTS

PBS026 – Pair of $\frac{3}{4}$ " x $\frac{3}{4}$ " braided hoses.

For ceramic cartridge replacement refer to the separate guide 'Deck mounted flow valves'.

PHL036 – Pair of $\frac{3}{4}$ " x $\frac{1}{4}$ turn ceramic cartridges (for levers – clockwise and counter clockwise closing).

PHL037 – Pair of $\frac{3}{4}$ " x $\frac{1}{2}$ turn ceramic cartridges (for cross handles – clockwise closing).

PSH127 – Model I242 aerator, cover and washer.

PSH032 – Model I261 flow straightener, cover and washer.



CONTRACT ENQUIRIES

+44 (0)1992 708 316

info@lefroybrooks.co.uk

CUSTOMER SERVICE, SPARES & TECHNICAL ENQUIRIES

+44 (0)1902 390 894

technical@lefroybrooks.co.uk

LEFROYBROOKS.CO.UK

Whilst every effort is made to ensure the accuracy of these, they are subject to change without notice as part of the company's product development process. The use of trademarks, product design and artwork is subject to licence or agreement with LBIP Ltd. The design registrations, trademark registrations and copyrights are protected by law and the use or reproduction outside the terms of an agreement is prohibited. The right to modify designs and dimensions is reserved. LBIP Ltd is a member of ACID (Anti Copying in Design). E&OE