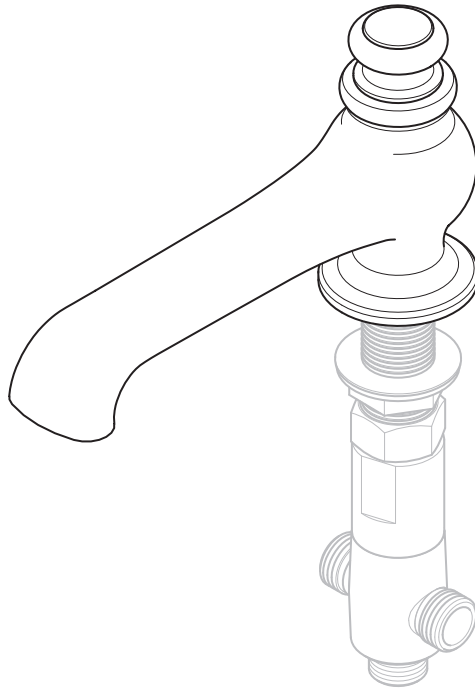


I250 / I252  
FOUR HOLE BATH SET  
(SPOUT AND DIVERTER)  
INSTALLATION GUIDE

---



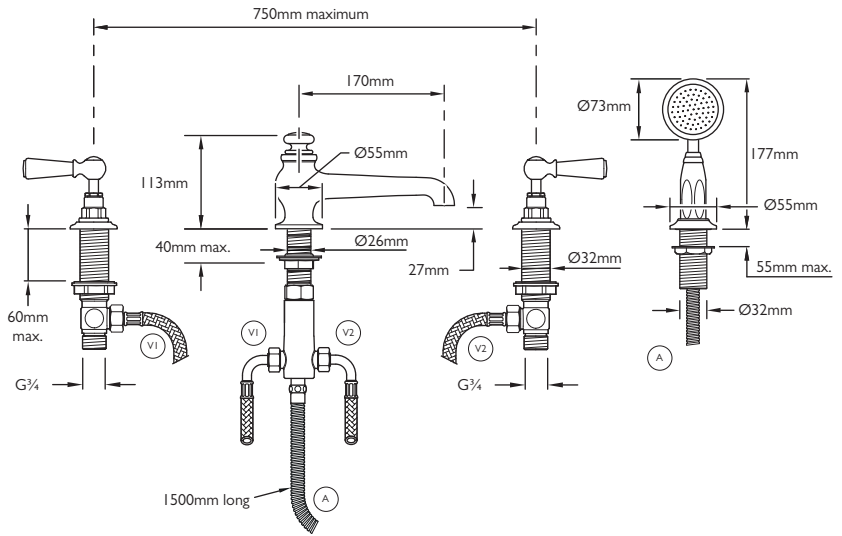
---

LEFROY BROOKS

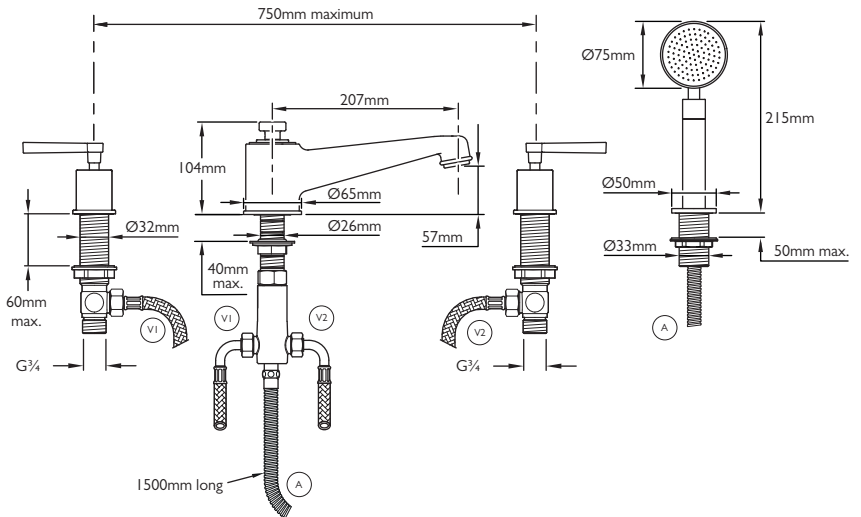


# DIMENSIONS

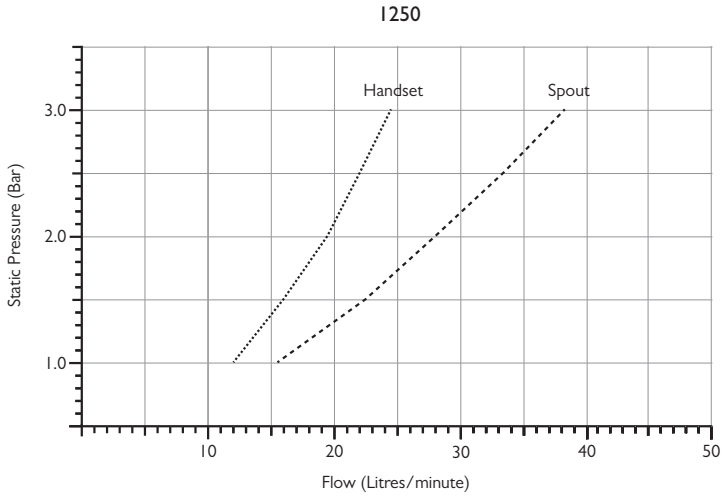
## 1250



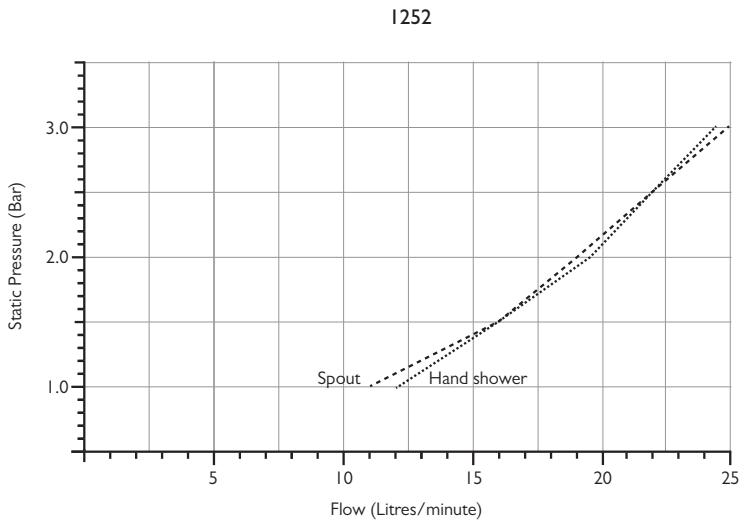
## 1252



# TYPICAL FLOW RATES



Note: Balanced pressures shown are applied directly to the hot and cold inlets; flow rates indicated are free flowing and may vary subject to restrictions created by installation, pipework, layout or application.



Note: Balanced pressures shown are applied directly to the hot and cold inlets; flow rates indicated are free flowing and may vary subject to restrictions created by installation, pipework, layout or application.

## IMPORTANT INFORMATION

### Professional installation

We recommend that our products are fitted by a fully qualified professional plumber. They should be installed correctly and in accordance with all local water regulations and the system protected by non-return valves (not supplied). All products should be accessible for routine servicing.

### Suits all systems

This Lefroy Brooks product is potentially suitable for every possible application, type of boiler and water supply pressure. However, if your supply pressure is below 1 bar it is advisable to fit a water pump. For systems with combination boilers, it is not advisable to fit pumps (refer to boiler manufacturer).

### Supply temperature safety notice

To comply with local building regulations, current legislation, relevant standards and codes of practice a thermostatic mixing valve (TMV) should be fitted (not supplied) to the hot supply. TMV's are designed to restrict the temperature to a safe working/maximum temperature. Maximum allowed temperatures vary subject to the type of installation or specification of building.

### Balancing flow

If there is a significant difference in water pressures between hot & cold supplies, we recommend an in-line flow suppressor/regulator (not supplied) be fitted. This should be fitted to whichever has the greater flow rate, in an accessible position close to the valve.

### Water quality

Limescale (calcium deposits) may effect the long term performance of ceramic cartridges. In hard water areas a suitable water treatment system should be provided to prevent the formation of limescale. The flow valves, spout and hand shower should be gently wiped with a dry soft cloth after use to minimise water stains.

### Servicing

All serviceable parts are available to maintain your Lefroy Brooks product.

### General installation details

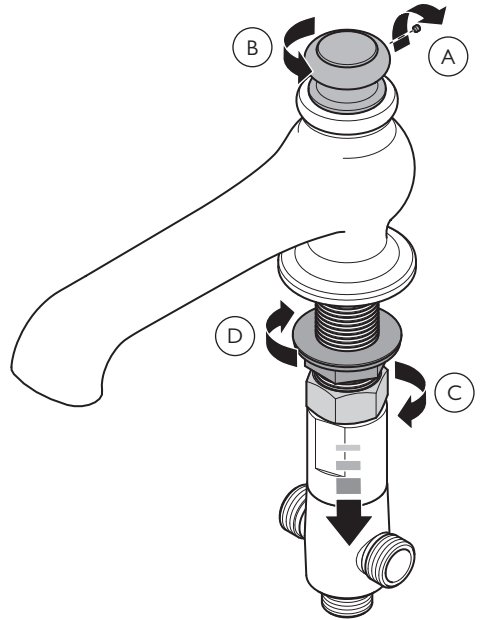
The diverter requires a minimum static water pressure of 1.5 bar to retain the diverter knob in the 'up' position (i.e. flow through shower handset). If the water pressure is lower than 1.5 bar the diverter knob can be lifted and turned through 90 degrees to lock it into the 'up' position.

The four hole bath mixer set is supplied with suitable flexible hoses. These are to be fitted as shown in the dimensions drawing. However, the sequence and the distances can be changed to suit customer requirements, but any additional pipework should be supplied by the installer.

## INSTALLING THE SPOUT/DIVERTER

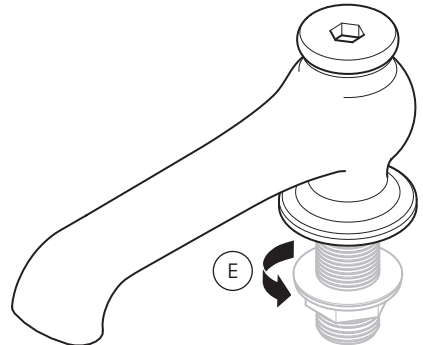
### 1 Disassemble the spout and diverter

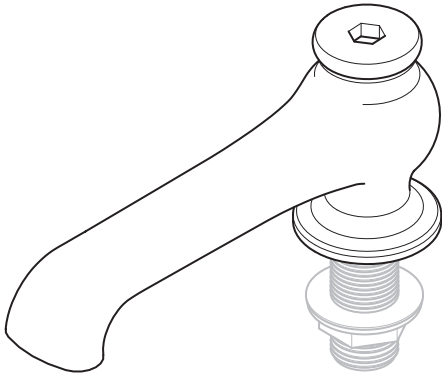
- There is a set screw located in the diverter knob. After removing the spout and diverter assembly from the packaging unscrew the set screw using the hexagonal key (included) (A).
- Unscrew the diverter knob to remove it from the threaded rod (B).
- Unscrew the diverter locking nut fully and remove the diverter from the spout (C).
- Remove the backnut and washer from the spout, ready for installation (D).



### 2 Secure the spout

- Locate the spout into the hole in the bath or worktop (40mm maximum thickness).
- Replace the backnut and washer.
- Tighten the nut to secure the spout in place (E).





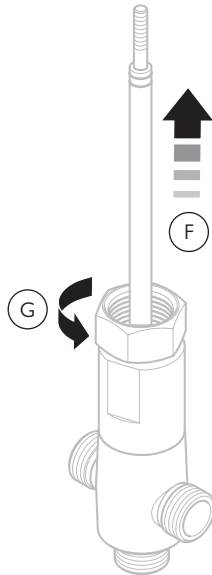
### 3 Fit the diverter

- Carefully insert the diverter rod assembly back into the spout (F). It is important to check that the green fibre washer is still located inside the locking nut.

Important note:

There are two 'o' rings at the top of the plastic tube. To avoid damage to the 'o' rings care should be taken when passing the rod through the upper section of the spout. Apply a small amount of silicon grease to ease assembly.

- Once pushed in fully, tighten the locking nut to secure the diverter in place (G).
- Continue to install the hot and cold flow valves and holster. Attach all flexible hoses. Install the shower hose and handset. The diverter can be rotated to avoid unnecessary bends in the flexible hoses.
- Turn on the water supply and check all joints.



#### 4 Setting the diverter

- Before fitting the diverter knob, turn both hot and cold water supplies on.
- Check that water flows from the spout only.
- Pull the threaded rod upward and check water flows from the shower handset only.
- Turn the water supplies off.
- The threaded rod will return to the lower position.
- Screw the diverter knob onto the threaded rod (H). Leave a 1mm gap (J) between the spout body and the underside of the diverter knob. Using the hexagonal key provided secure the diverter knob in place by screwing in set screw (K).

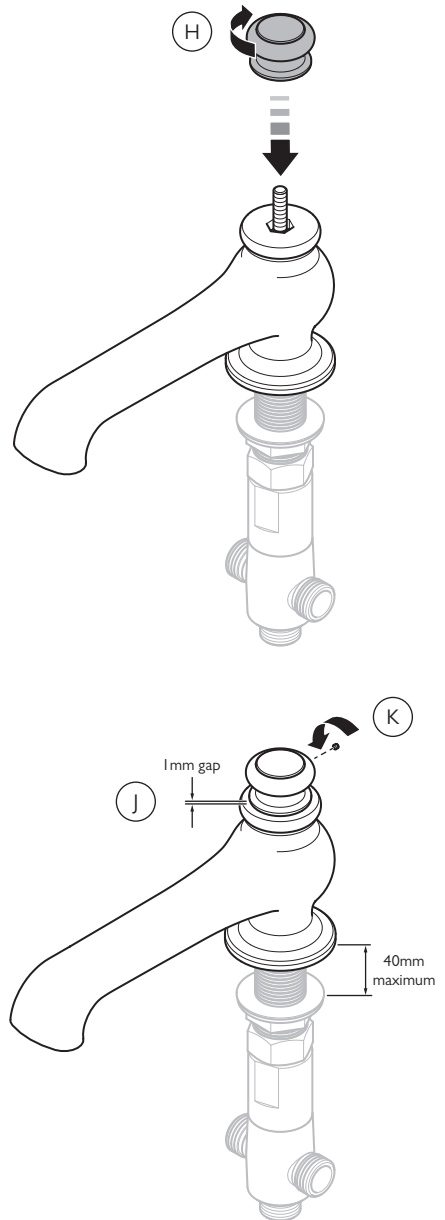
Setting is now complete.

- Test the diverter with the water supplies turned on. Pull the diverter knob up to operate the handset and push down to operate the spout.
- Check that the diverter knob returns to its lower position when the water supplies are turned off.
- Check all joints before concealing pipework.

Note:

If the static water pressure is lower than 1.5 bar the diverter knob can be lifted and turned through 90 degrees to lock it into the up position.

Turn the knob through 90 degrees to release and return to the lower position.





## INSTALLING THE FLOW VALVES

Please refer to the separate guide 'Deck mounted flow valves' for installation details

---

### FAULT FINDING

**The hot/cold taps are turned off but the spout drips continuously.**

- Replace the ceramic cartridge(s). See 'Replacement parts' section for spare part numbers.

**With the hot/cold taps turned on, water comes from the spout and handset at the same time.**

- Follow the setting instructions shown in section 4 'setting the diverter' leaving a 1mm gap between the spout body and the underside of the diverter knob. If water continues to flow from the spout and handset at the same time then there may be debris lying on the rubber seal within the diverter.

**Water flow from the spout is reduced.**

- On I252 models debris from the water supply may be causing restriction at the aerator located in the end of the spout. The aerator can be removed for cleaning (see 'servicing – cleaning the spout aerator section').
- Check that there are no tight bends in the flexible hoses.

**Noisy operation.**

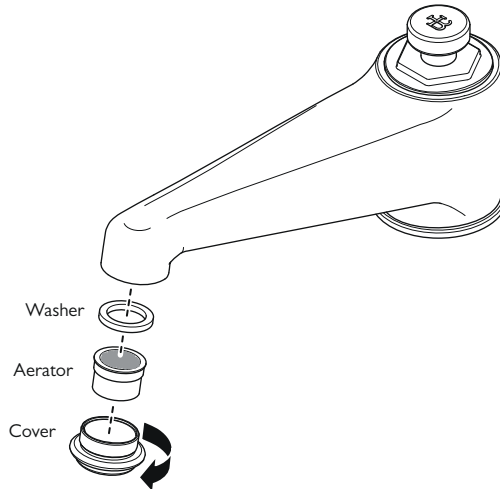
- Check that there are no tight bends in the flexible hoses.
- Reduce water pressure.

**Leaks from underside of basin.**

- Flexible hose joints not tight.

## SERVICING – CLEANING THE SPOUT AERATOR

Only applicable on I252 models



1 There is an aerator located in the end of the spout. To remove this unscrew and remove the cover in a clockwise direction.

2 The aerator can be cleaned in warm soapy water.

3 Assemble in the reverse order.

## REPLACEMENT PARTS

- PHL036 – ¾" x ¼ turn ceramic cartridges for levers (pair)
- PHL037 – ¾" x ½ turn ceramic cartridges for cross handles/handwheels (pair)
- PBS019 – ¾" x ½" braided hoses (pair)
- LB2101 – Shower hose
- PSH071 – 1250 spout diverter assembly only (May 2016 onward)
- PSH079 – 1252 spout diverter assembly only
- PSH127 – 1252 spout aerator assembly



CONTRACT ENQUIRIES

+44 (0)1992 708 316

[info@lefroybrooks.co.uk](mailto:info@lefroybrooks.co.uk)

CUSTOMER SERVICE, SPARES & TECHNICAL ENQUIRIES

+44 (0)1902 390 894

[technical@lefroybrooks.co.uk](mailto:technical@lefroybrooks.co.uk)

LEFROYBROOKS.CO.UK

---

Whilst every effort is made to ensure the accuracy of these, they are subject to change without notice as part of the company's product development process. The use of trademarks, product design and artwork is subject to licence or agreement with LBIP Ltd. The design registrations, trademark registrations and copyrights are protected by law and the use or reproduction outside the terms of an agreement is prohibited. The right to modify designs and dimensions is reserved. LBIP Ltd is a member of ACID (Anti Copying in Design). E&OE