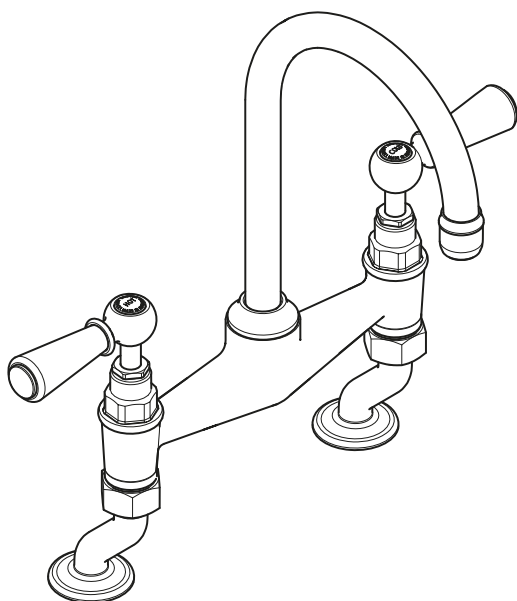


1517 / 1518 / 9007 / 9008
BASIN & KITCHEN BRIDGE MIXERS
INSTALLATION GUIDE



LEFROY BROOKS

IMPORTANT INFORMATION

Professional installation

We recommend that our products are fitted by a fully qualified professional plumber. They should be installed correctly and in accordance with all local water regulations and the system protected by non-return valves (not supplied). All products should be accessible for routine servicing.

Suits all systems

This Lefroy Brooks product is potentially suitable for every possible application, type of boiler and water supply pressure. However, if your supply pressure is below 1 bar it is advisable to fit a water pump. For systems with combination boilers, it is not advisable to fit pumps (refer to boiler manufacturer).

Supply temperature safety notice

A thermostatic mixing valve (TMV) should be fitted (not supplied) to the hot supply to restrict the temperature to a safe working/maximum temperature to comply with local building regulations, current legislation, relevant standards and codes of practice. Maximum allowed temperatures vary subject to type of installation or specification of building.

Flushing system

It is most important to flush out all pipework thoroughly before connecting the mixer. This is the single most common cause of ceramic cartridge failure.

Supply connections

The HOT water supply should be connected to the LEFT inlet and COLD to the RIGHT inlet as viewed from the front.

Both wall and deck mounted models have 1/2" BSP threaded tails that are designed to fit standard tap connectors.

Wall mounted European versions have eccentric wall fittings suitable for 1/2" BSP female wall connectors.

Balancing flow

If a significant pressure difference exists between the hot and cold supplies, we advise fitting a 'flow regulator' (not supplied) to the higher or both supplies.

Water quality

In hard water areas, a suitable water treatment system should be provided to prevent limescale deposits (calcium deposits) which may effect the long term performance of the ceramic cartridges. Exterior surfaces should be gently wiped with a dry soft cloth after use to minimise water stains and limescale deposits.

Servicing

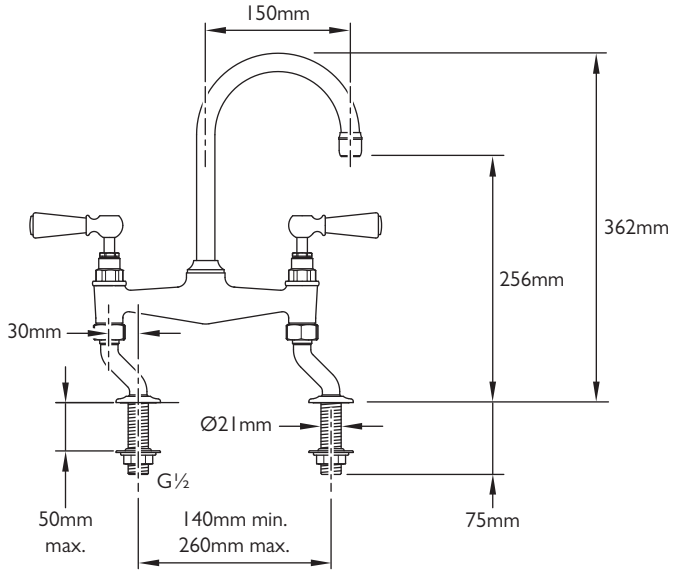
All serviceable parts are available to maintain your Lefroy Brooks product.

Mounting holes

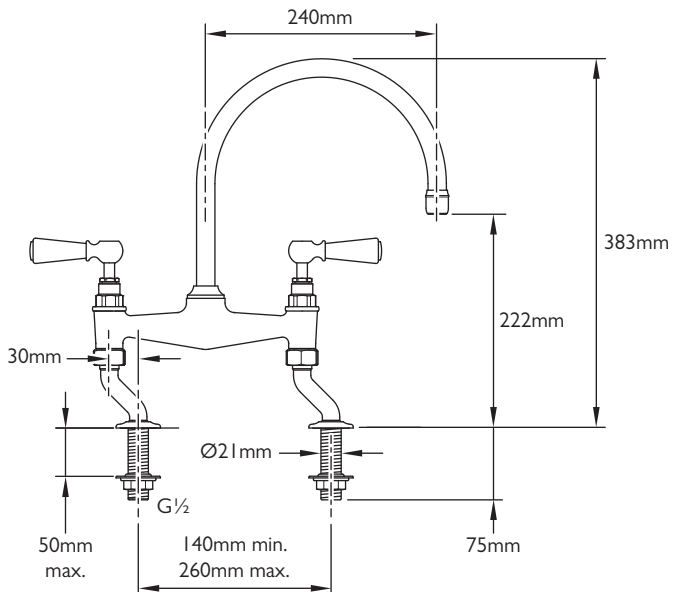
Unless mounting directly into a pre-drilled basin or sink, drill Ø22mm – Ø24mm suitably located holes in the mounting surface.

DIMENSIONS – 1517 & 9007 MODELS

9007



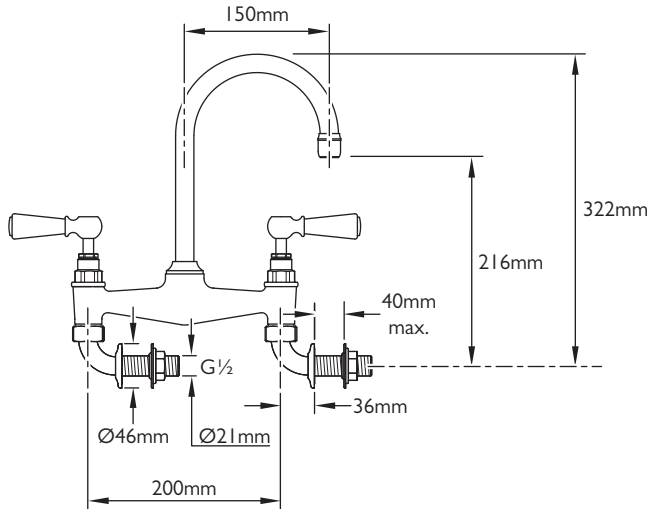
1517



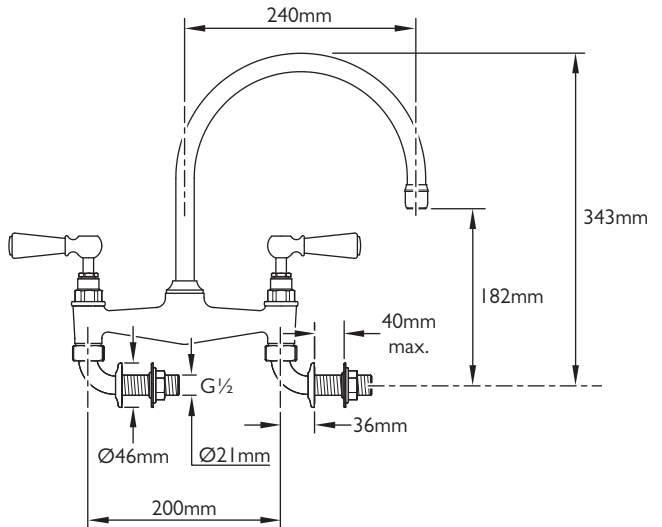
Not to scale

DIMENSIONS – 1518 & 9008 MODELS

9008



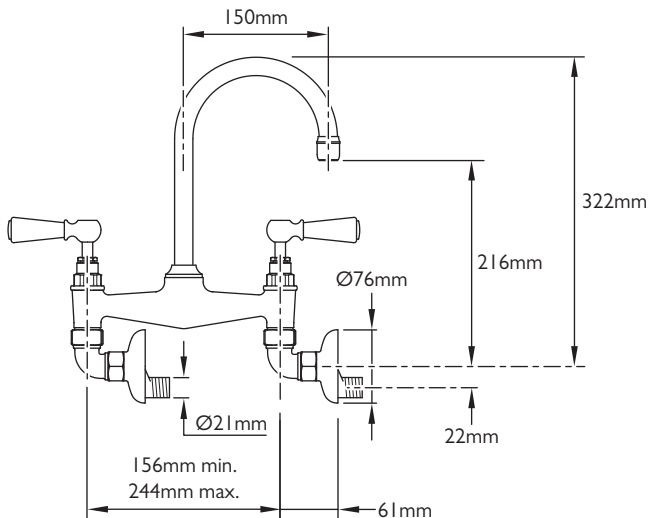
1518



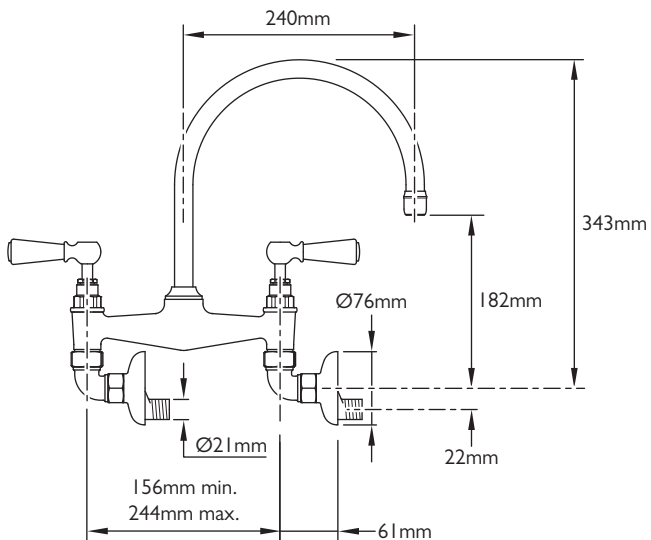
Not to scale

DIMENSIONS –1518 & 9008 EUROPEAN MODELS

9008 Euro

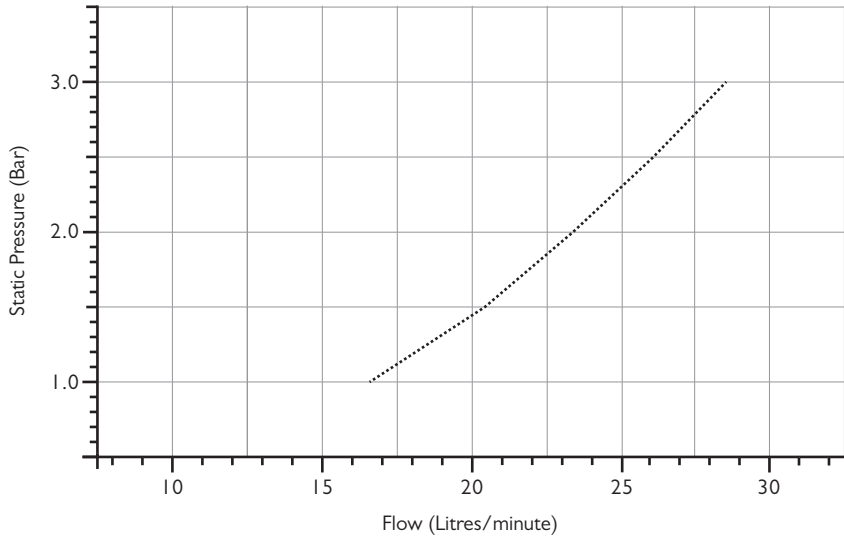


1518 Euro



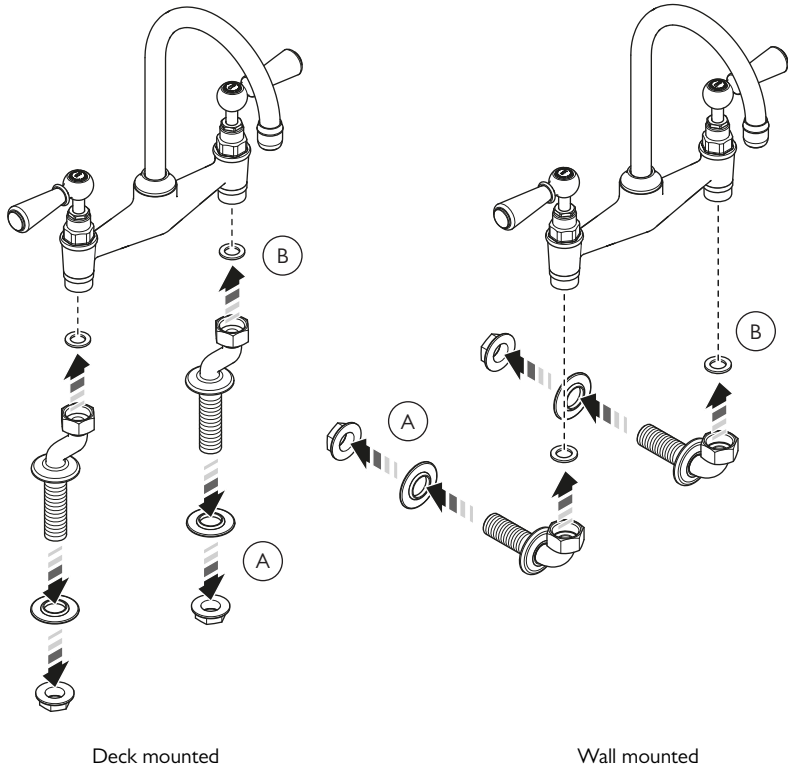
Not to scale

TYPICAL FLOW RATES



Note: The balanced pressures shown are applied directly to the inlets. Flow rates indicated are free flowing and may vary subject to restrictions created by installation, pipework, layout or application.

ASSEMBLY



Deck mounted

Wall mounted

1 Unscrew and remove the backnuts and rubber washers from the elbows/deck legs (A). Place the elbow/deck leg washers in place then screw the elbows/deck legs in place (B).

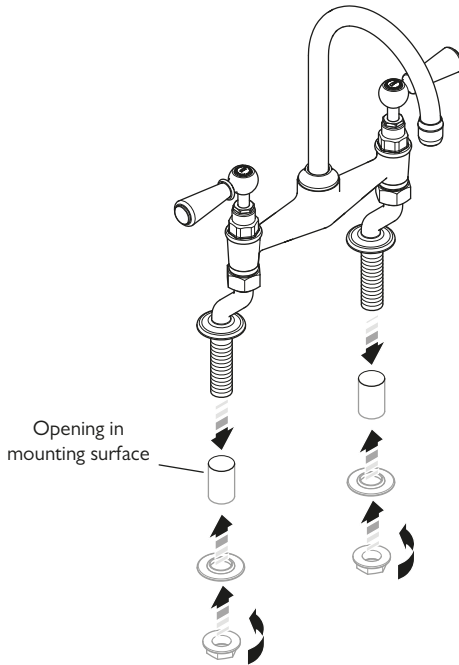
2 Tighten the deck leg nuts to secure. Ensure that the jaws of the spanner are wrapped with suitable material such as tape to prevent damage to the nuts.

Deck mounted models only:

Do not tighten the deck leg nuts at this stage. Offer the mixer to the holes in the mounting surface. The legs can be rotated to accommodate the hole centres.

INSTALLATION – DECK MOUNTED MODELS

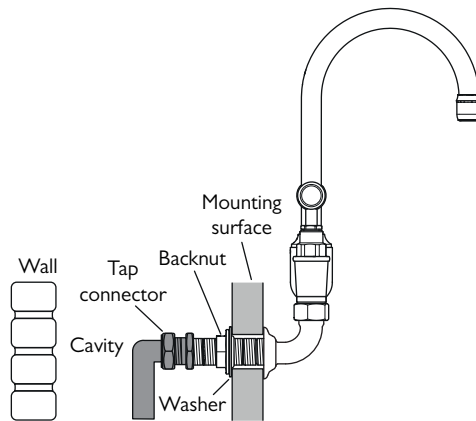
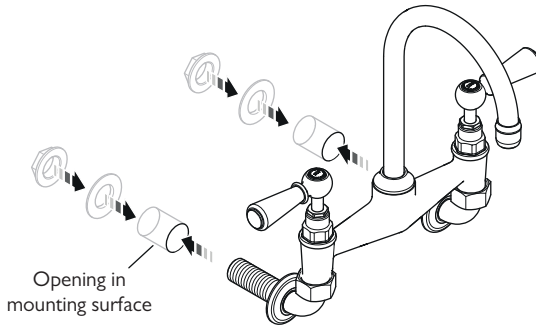
The same procedure applies to all deck mounted models.



- 1 Where required, drill $\text{Ø}22\text{--}24\text{mm}$ holes in the mounting surface.
- 2 Place the threaded tails of the mixer through the holes in the mounting surface.
- 3 Locate the washers onto the threaded tails.
- 4 Screw the backnuts onto the threaded tails and tighten to secure.
- 5 After flushing the pipework, connect the hot and cold water supplies.
- 6 Pressure test the installation to ensure that all joints are tight and do not leak, especially where pipework will be concealed.

INSTALLATION – WALL MOUNTED MODELS

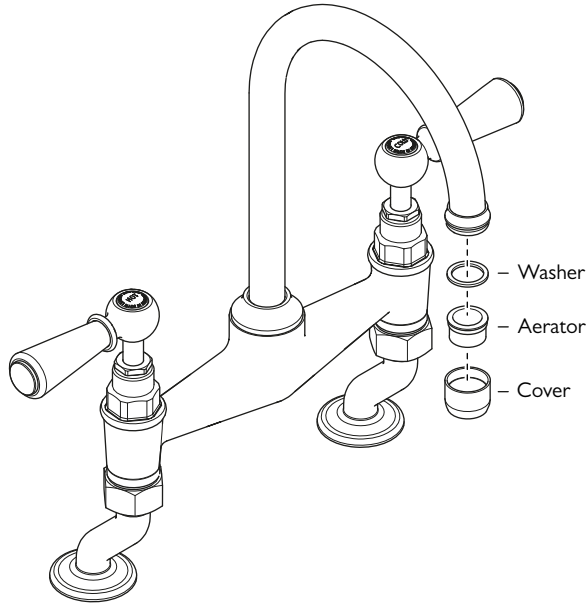
The same procedure applies to all wall mounted models. For European models please refer to the installation guide supplied with the eccentric fittings.



- 1 Where required, drill $\varnothing 22\text{--}24\text{mm}$ holes in the mounting surface.
- 2 Place the threaded tails of the mixer through the holes in the mounting surface.
- 3 Locate the washers onto the threaded tails.
- 4 Screw the backnuts onto the threaded tails and tighten to secure.
- 5 After flushing the pipework, connect the hot and cold water supplies.
- 6 Pressure test the installation to ensure that all joints are tight and do not leak, especially where pipework will be concealed.

SERVICING – CLEANING THE SPOUT AERATOR

The same procedure applies to all models.



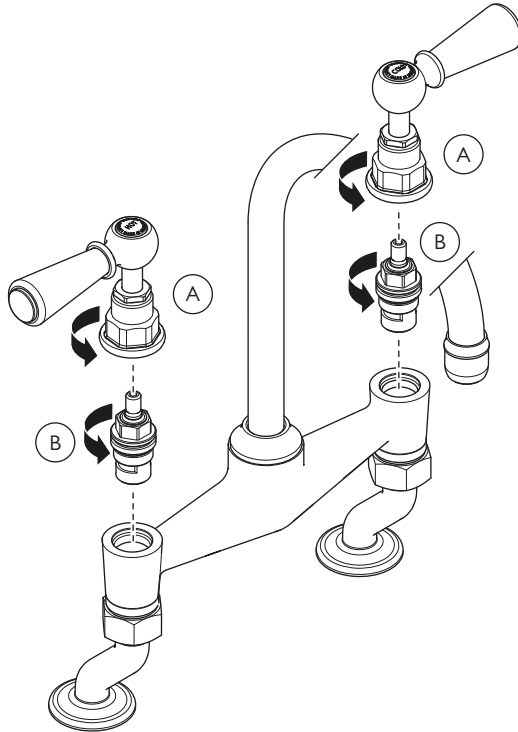
1 There is an aerator located in the end of the spout. To remove the aerator unscrew and remove the aerator cover.

2 The aerator can be cleaned in warm soapy water.

3 Assemble in the reverse order.

SERVICING – CARTRIDGE REPLACEMENT

The same procedure applies to bath shower mixers and bath fillers.

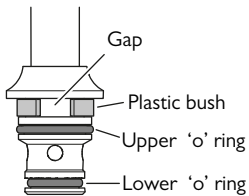
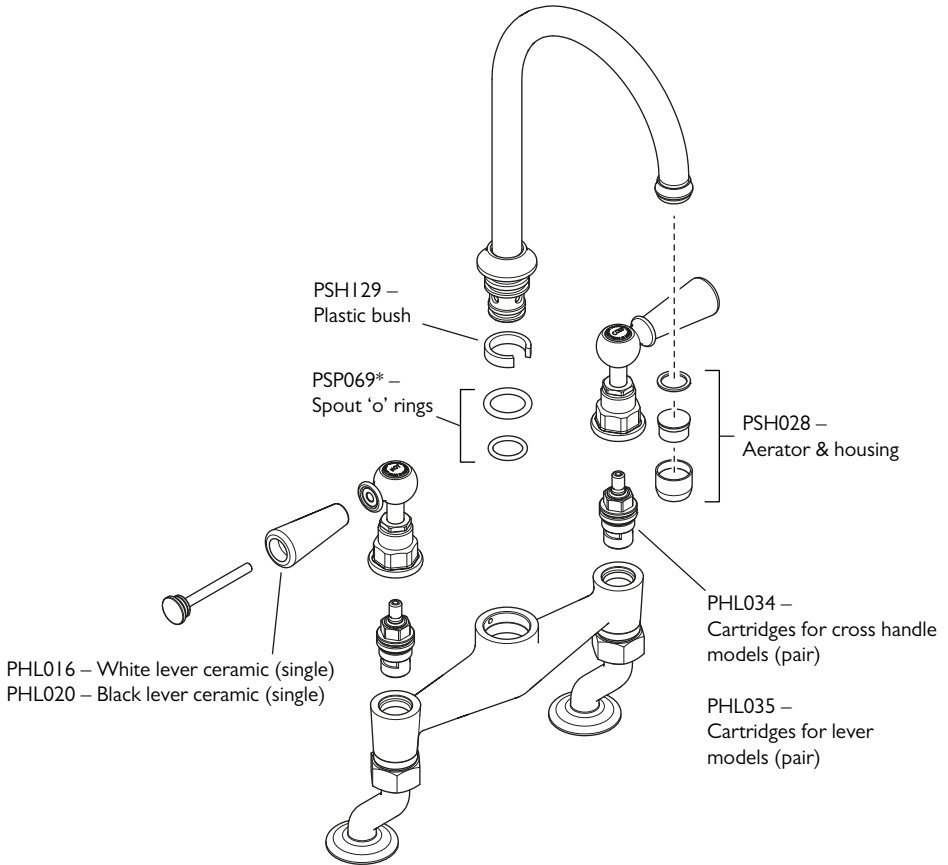


Before continuing please ensure that the water supplies have been isolated and drained where necessary.

1 To remove the ceramic cartridge(s), unscrew and remove the cross handle/handwheel/lever assemblies (A). Using a rubber glove such as those used for washing up will improve grip.

- 2 Unscrew and remove the ceramic cartridge(s) using a 17mm spanner (B).
- 3 Assemble in the reverse order.

REPLACEMENT PARTS



Front of spout

* Following 'o' ring replacement, before fitting the spout, ensure the gap in the plastic bush faces the front of the spout.

FAULT FINDING

The hot/cold valves are turned off but the spout drips continuously.

- Replace the ceramic cartridge(s). See 'Replacement parts' section for spare part numbers.

Water flow from the spout is reduced.

- Debris from the water supply may be causing restriction at the aerator located in the end of the spout. The aerator can be removed for cleaning. See 'servicing – cleaning the spout aerator' section.

Water leaks from the base of the spout.

- Replace the spout 'o' rings. See 'Replacement parts' section for spare part numbers.

Note: Following 'o' ring replacement, before fitting the spout, ensure the gap in the plastic bush faces the front of the spout.



CONTRACT ENQUIRIES

+44 (0)1992 708 316

info@lestroybrooks.co.uk

CUSTOMER SERVICE, SPARES & TECHNICAL ENQUIRIES

+44 (0)1902 390 894

technical@lestroybrooks.co.uk

LEFROYBROOKS.CO.UK

Whilst every effort is made to ensure the accuracy of these, they are subject to change without notice as part of the company's product development process. The use of trademarks, product design and artwork is subject to licence or agreement with LBIP Ltd. The design registrations, trademark registrations and copyrights are protected by law and the use or reproduction outside the terms of an agreement is prohibited. The right to modify designs and dimensions is reserved. LBIP Ltd is a member of ACID (Anti Copying in Design). E&OE