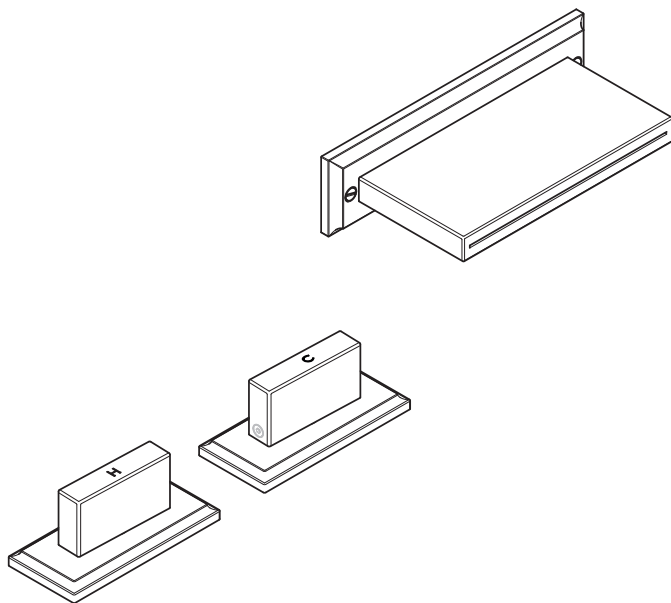


DP 1268
FIFTH WALL MOUNTED BATH SPOUT
WITH DECK CONTROLS
INSTALLATION GUIDE

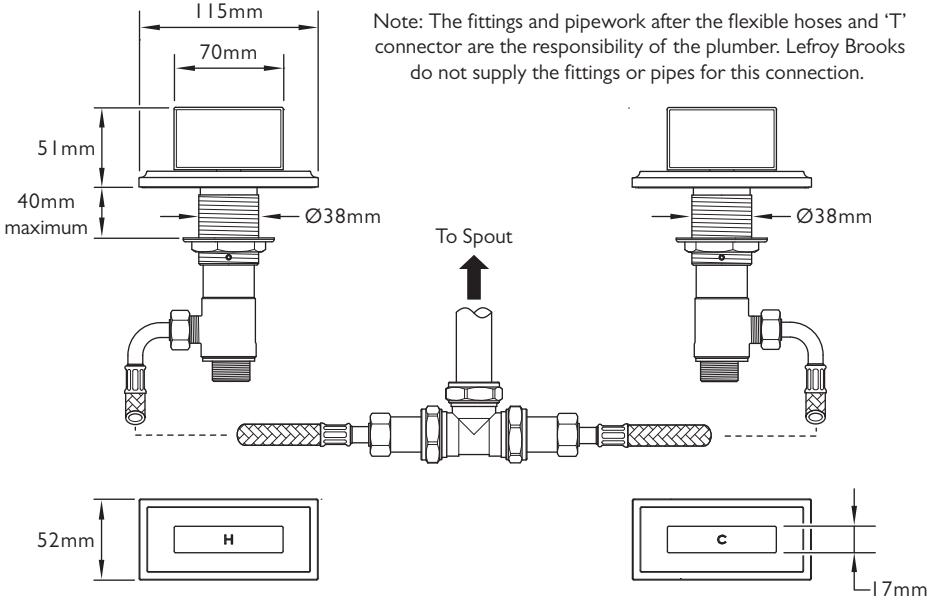


LEFROY BROOKS

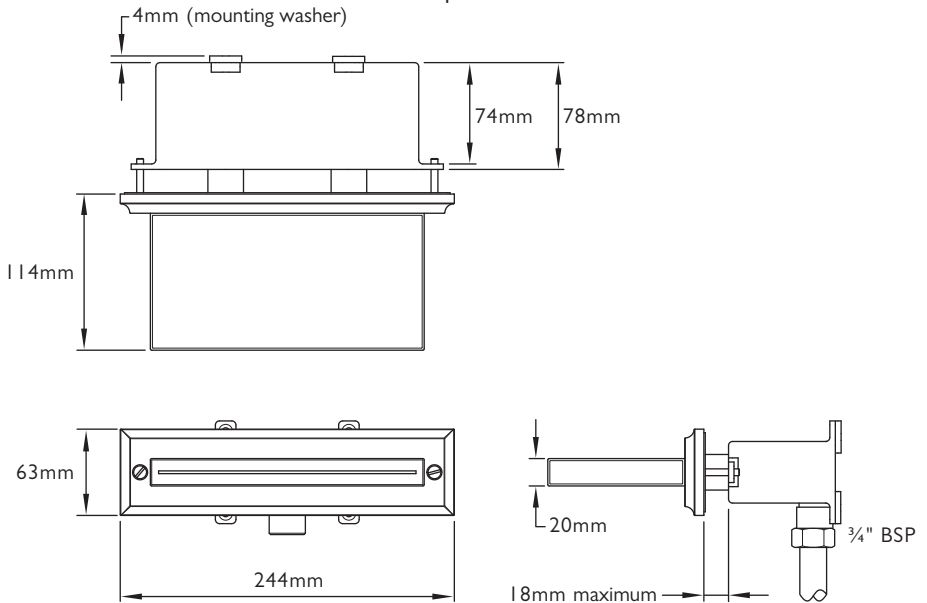
DIMENSIONS

Flow valves

Note: The fittings and pipework after the flexible hoses and 'T' connector are the responsibility of the plumber. Lefroy Brooks do not supply the fittings or pipes for this connection.



Spout



IMPORTANT INFORMATION

Professional installation

We recommend that our products are fitted by a fully qualified professional plumber. They should be installed correctly and in accordance with all local water regulations and the system protected by non-return valves (not supplied). All products should be accessible for routine servicing.

Suits all systems

This Lefroy Brooks product is potentially suitable for every possible application, type of boiler and water supply pressure. However, if your supply pressure is below 1 bar it is advisable to fit a water pump. For systems with combination boilers, it is not advisable to fit pumps (refer to boiler manufacturer).

Supply temperature safety notice

To comply with local building regulations, current legislation, relevant standards and codes of practice a thermostatic mixing valve (TMV) should be fitted (not supplied) to the hot supply. This will restrict the temperature to a safe working maximum temperature. Maximum allowed temperatures vary subject to type of installation or specification of building.

Water quality

In hard water areas, a suitable water treatment system should be provided to prevent limescale deposits (calcium deposits) which may effect the long term performance of the ceramic cartridges. Exterior surfaces should be gently wiped with a dry soft cloth after use to minimise water stains and limescale deposits.

Flushing system

It is most important to flush out all pipework thoroughly before connecting the product. Failure to do so is the single most common cause of ceramic cartridge failure.

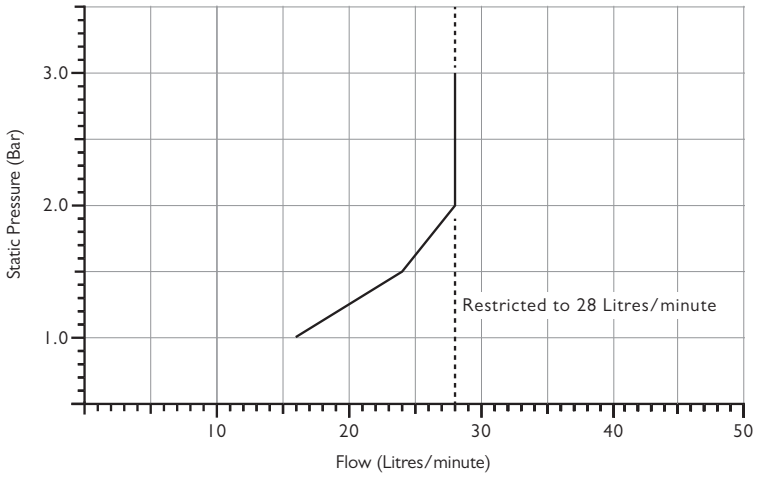
Servicing

All serviceable parts are available to maintain your Lefroy Brooks product.

Spout

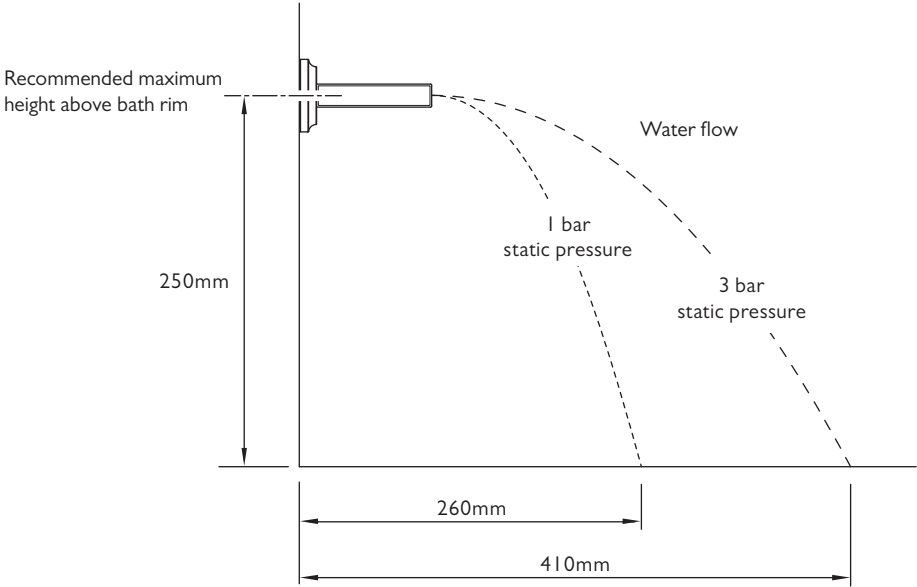
- Do not use the spout for support when entering/leaving the bath
- Do not hang items from the spout.
- Do not use the top of the spout for storage or place items on top including candles, soaps, cosmetics etc.

TYPICAL FLOW RATES



Note: Balanced pressures shown are applied directly to the hot and cold inlets; flow rates indicated are free flowing and may vary subject to restrictions created by installation, pipework, layout or application.

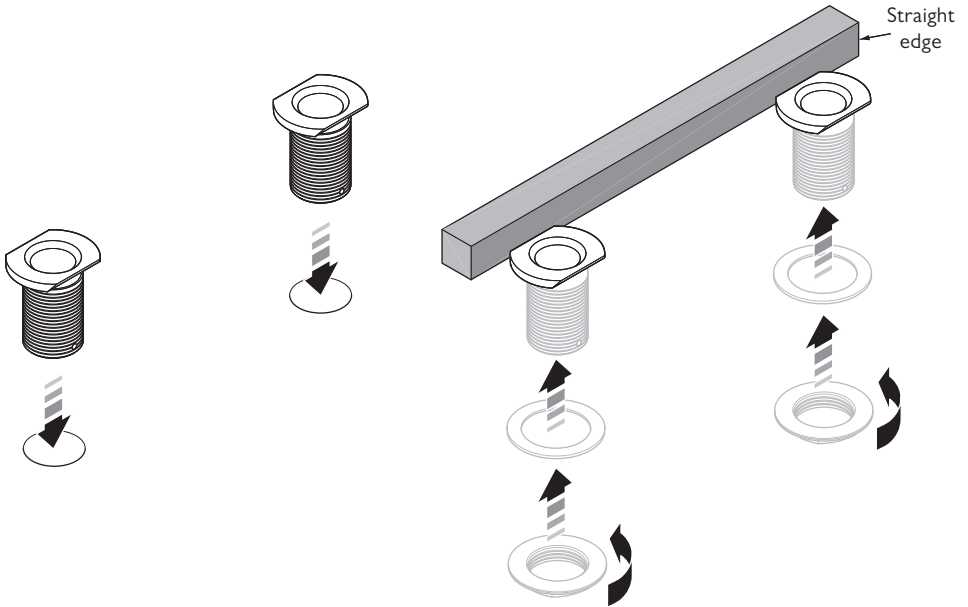
TYPICAL FLOW PATTERN



Not to scale

The flow rate for the spout has been restricted to 28 litres per minute. This is to limit the distance that water will travel when leaving the spout. If the spout is mounted to the side of a bath the water pressure may require adjustment to ensure water does not flow over the side of the bath and onto the floor. The illustration shows the distance water is projected from the spout at 1 bar and 3 bar static pressure.

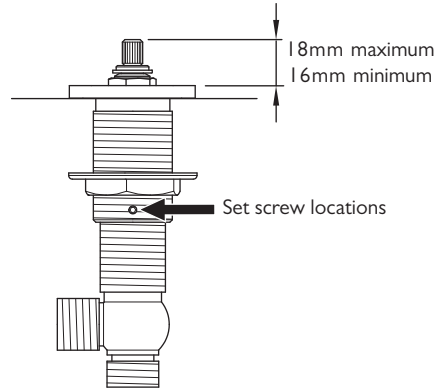
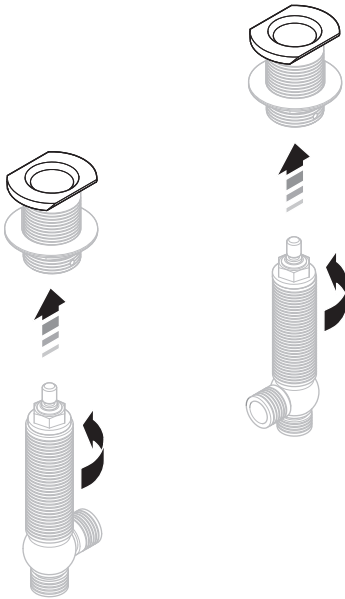
INSTALLATION



- 1 Cut suitable holes in the work surface.
- 2 Locate the flow valve supports into the holes.
- 3 Place a straight edge against the rear of the flow valve supports to ensure they are aligned correctly.

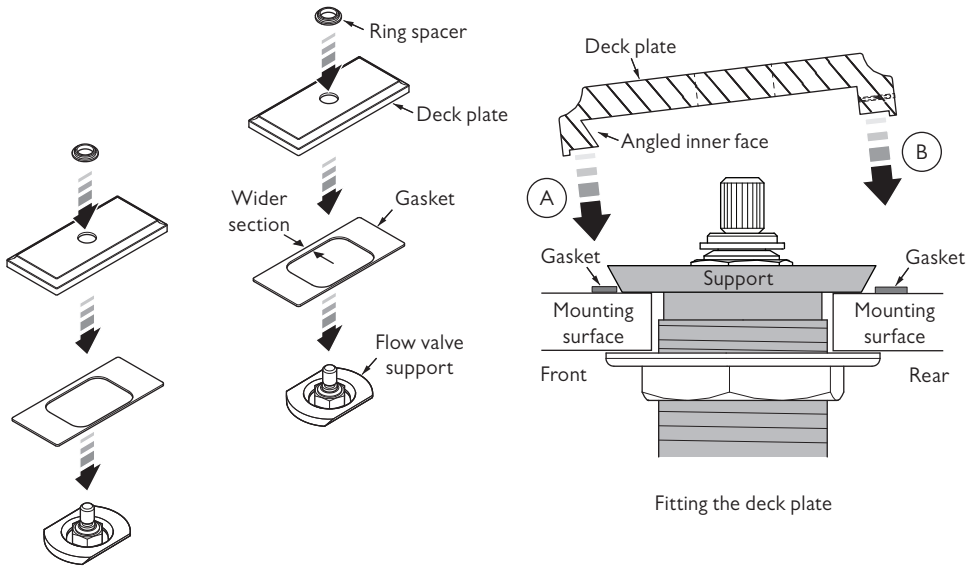
- 4 With the washers in place, screw the flow valve support backnuts in place to secure. Ensure that the supports remain aligned.

INSTALLATION



- 5 Screw the flow valves into the flow valve supports.
- 6 Set the height of the flow valves as shown above. The upper surface of the splined tips should be between 16mm and 18mm above the top of the flow valve supports.
- 7 To align the handles locate a handle onto the left hand flow valve and rotate fully clockwise. Locate a handle onto the right hand flow valve and rotate fully counter clockwise. Where necessary, rotate the flow valve body to ensure that the front face of each handle is parallel to the front face of the flow valve supports.
- 8 Each flow valve support has two set screws located in it. Using a 2mm hexagonal key secure the flow valves by screwing in the set screws.
- 9 Remove the handles.

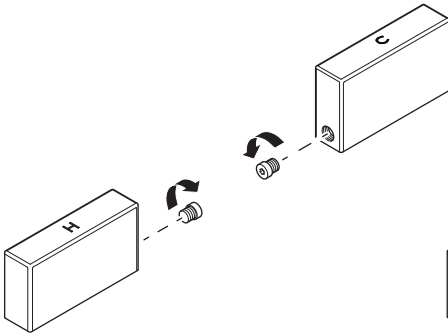
INSTALLATION



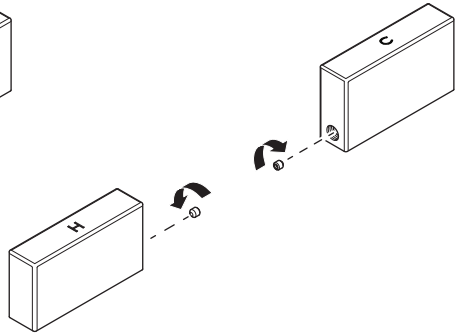
- 10 Place the gaskets over the flow valves. The holes in the gaskets are not central. Ensure that the wider sections are located to the rear of the flow valve supports.
- 11 The flow valve deck plates have a front and rear, the rear having a small set screw hole. The front of the deck plate has an angled inner face as shown above. Locate the front of the deck plates over the flow valve supports (A) then lower the rear of the deck plates onto the gaskets (B). Screw in the two set screws at the rear of the deck plates using a 1.5mm hexagonal key to secure.
- 12 Place the ring spacers over the cartridge holes in the deck plate (the wider diameter should be at the bottom).

INSTALLATION

Removing the set screw covers



Tightening the set screws

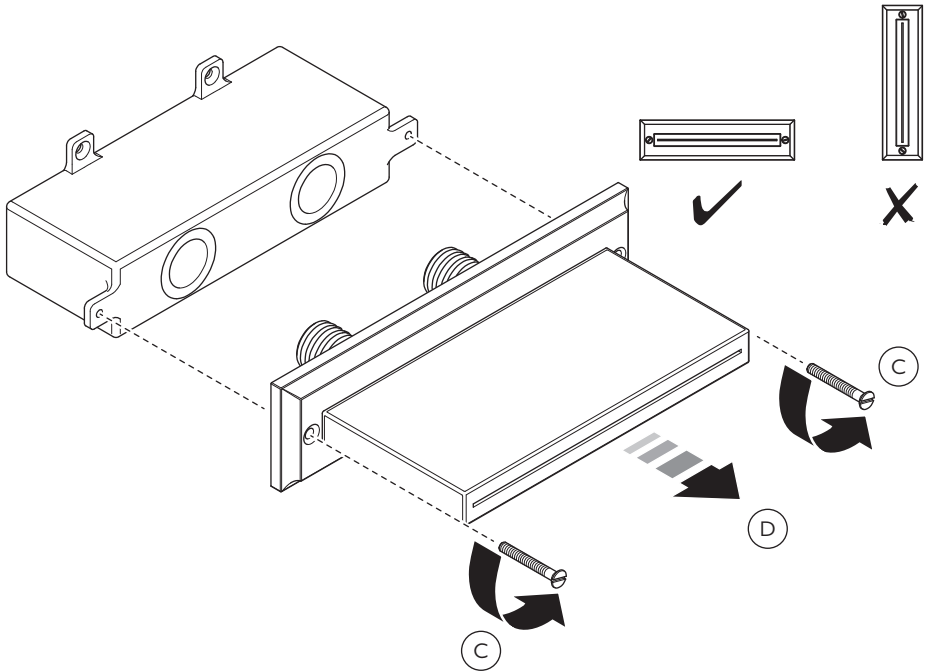


13 Each handle has a removable circular cover located to one side. These each cover a set screw. Unscrew and remove both covers using a 2.5mm hexagonal key.

14 Locate the handles onto the flow valves ensuring that the front face of each handle is parallel to the deck plate; if not aligned then see 7. Secure the handles in place using a 2mm hexagonal key.

15 Locate the removable covers and secure in place.

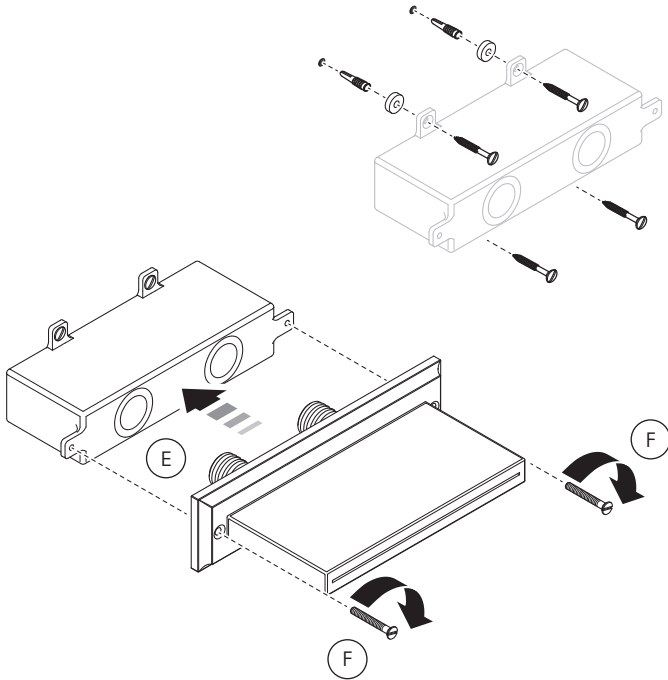
INSTALLATION



16 The spout is supplied assembled. Unscrew and remove the two retaining screws from the sides of the spout (C) then pull the spout away from the inlet chamber (D).

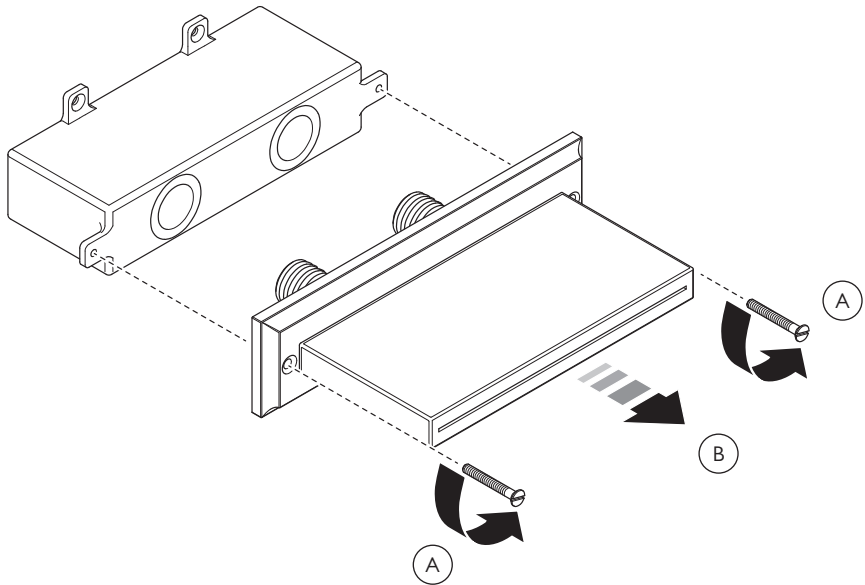
17 The spout is designed to be mounted horizontally, not vertically. The inlet chamber can be mounted with the inlet at the top or bottom.

INSTALLATION



- 18 There are four mounting points on the inlet chamber. Use all four when securing the inlet chamber to the mounting surface. Mark the hole positions on the mounting surface. Use a spirit level to ensure the holes are level.
- 19 Drill holes using a $\text{\O}6\text{mm}$ drill bit.
- 20 Insert the wall plugs into the holes then secure the inlet chamber using the screws and mounting washers supplied. Use a spirit level to ensure the inlet chamber is level.
- 21 Insert the two spout connectors into the inlet chamber holes (E). Ensure the spout is kept parallel to the inlet chamber when pushing the spout connectors into the holes.
- 22 Secure the spout in place with the two screws previously removed (F).
- 23 Connect the pipework from the spout to the flow control valves.
- 24 Connect the flow control valves to the water supplies.
- 25 Check all pipework and joints for leaks before concealing.

SERVICING THE SPOUT

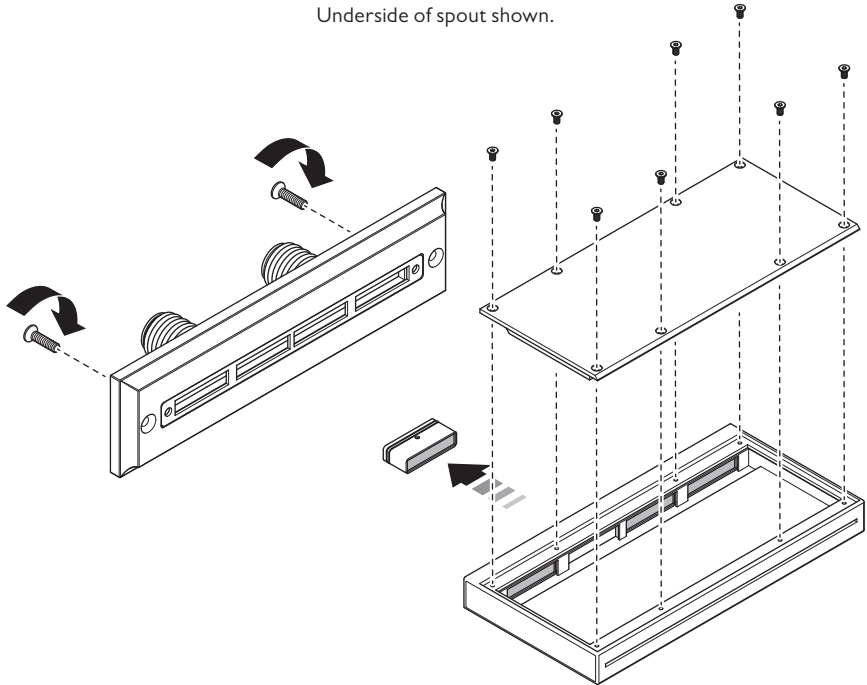


Before continuing please ensure that the water supplies have been isolated and drained where necessary.

- I To remove the spout, unscrew and remove the two retaining screws from the sides of the spout (A) then pull the spout away from the inlet chamber (B).

SERVICING THE SPOUT

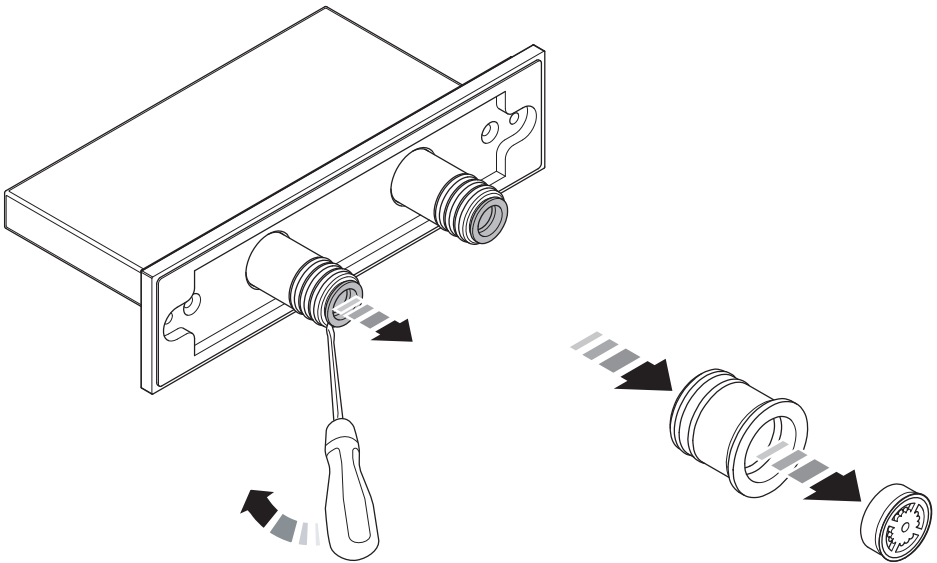
Underside of spout shown.



- 2 To separate the two halves of the spout assembly unscrew and remove the two screws from the rear of the spout.
- 3 To access the inside of the spout unscrew and remove the eight retaining screws from the lower access plate.

- 4 For cleaning purposes the aerators can be pushed out by applying light pressure from inside the spout. The aerators straighten the flow of water and assist in the prevention of drips when the spout is turned off. Never use the spout without the aerators in place.

SERVICING THE SPOUT



- 5 There are flow regulators located in the rear of the spout connectors. For cleaning purposes, insert a flat blade screwdriver behind the raised lip of the regulator housings to remove. The regulators can be pushed from the housings using a finger, never use anything sharp as this may damage the regulator. Simply push from inside the housing as shown above. Never use the spout without the flow regulators in place. Changes in water supply pressure could dramatically change the distance that water is projected from the spout.

FAULT FINDING

The hot/cold taps are turned off but the spout drips continuously.

- Replace the ceramic cartridge(s). See below for spare part numbers.

Water flow from the spout is reduced.

- Debris from the water supply may be causing restriction at the flow regulators or aerators. The flow regulators and aerators can be removed for cleaning. See 'servicing the spout' section.

REPLACEMENT PARTS

PHL036 – Pair of $\frac{3}{4}$ " x $\frac{1}{4}$ turn ceramic cartridges (one clockwise closing (left side) and one counter clockwise closing (right side)).

PHL042 – Single $\frac{3}{4}$ " x $\frac{1}{4}$ turn ceramic cartridge (clockwise closing – left side)

PHL043 – Single $\frac{3}{4}$ " x $\frac{1}{4}$ turn ceramic cartridge (counter clockwise closing – right side)

PBS021 – Pair of $\frac{3}{4}$ " replacement braided hoses.



CONTRACT ENQUIRIES

+44 (0)1992 708 316

info@lefroybrooks.co.uk

CUSTOMER SERVICE, SPARES & TECHNICAL ENQUIRIES

+44 (0)1902 390 894

technical@lefroybrooks.co.uk

LEFROYBROOKS.CO.UK

Whilst every effort is made to ensure the accuracy of these, they are subject to change without notice as part of the company's product development process. The use of trademarks, product design and artwork is subject to licence or agreement with LBIP Ltd. The design registrations, trademark registrations and copyrights are protected by law and the use or reproduction outside the terms of an agreement is prohibited. The right to modify designs and dimensions is reserved. LBIP Ltd is a member of ACID (Anti Copying in Design). E&OE