



# LEFROY BROOKS

IBROC HOUSE ESSEX ROAD  
HODDESDON HERTS EN11 0QS UK  
T: +44 (0)1992 708 316 F: +44 (0)1992 708 317

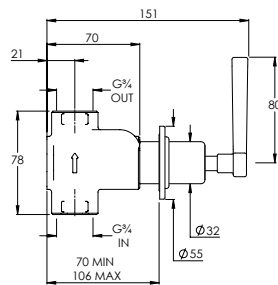
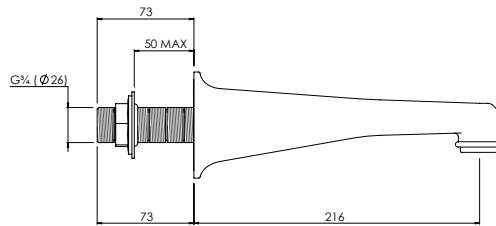
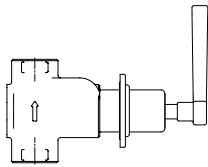
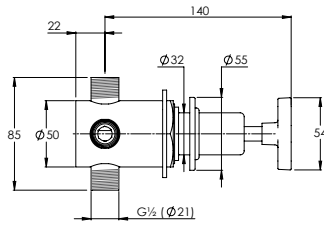
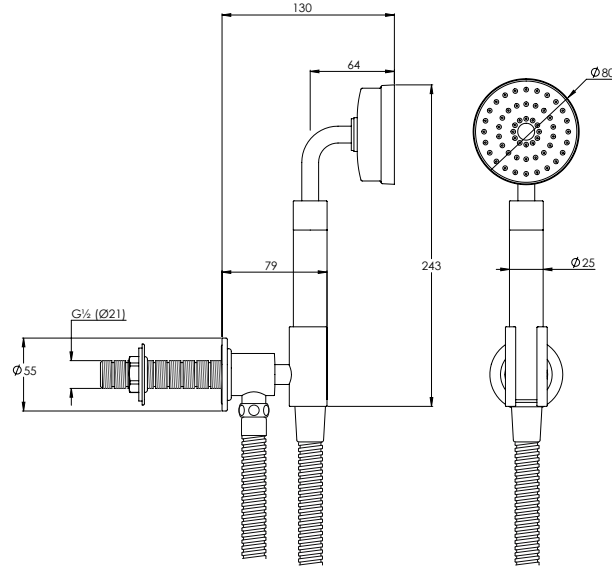
## JL1247

JANEY MAC WALL MOUNTED LEVER FIVE HOLE BATH  
FILLER WITH DIVERTER & EASY CLEAN HAND SHOWER

### DIMENSIONAL DATA SHEET

DATE: 18/04/2024

REVISION: C



DIMENSIONS IN MILLIMETRES