



**LEFROY BROOKS**

IBROC HOUSE ESSEX ROAD  
HODDESDON HERTS EN11 0QS UK  
T: +44 (0)1992 708 316 F: +44 (0)1992 708 317

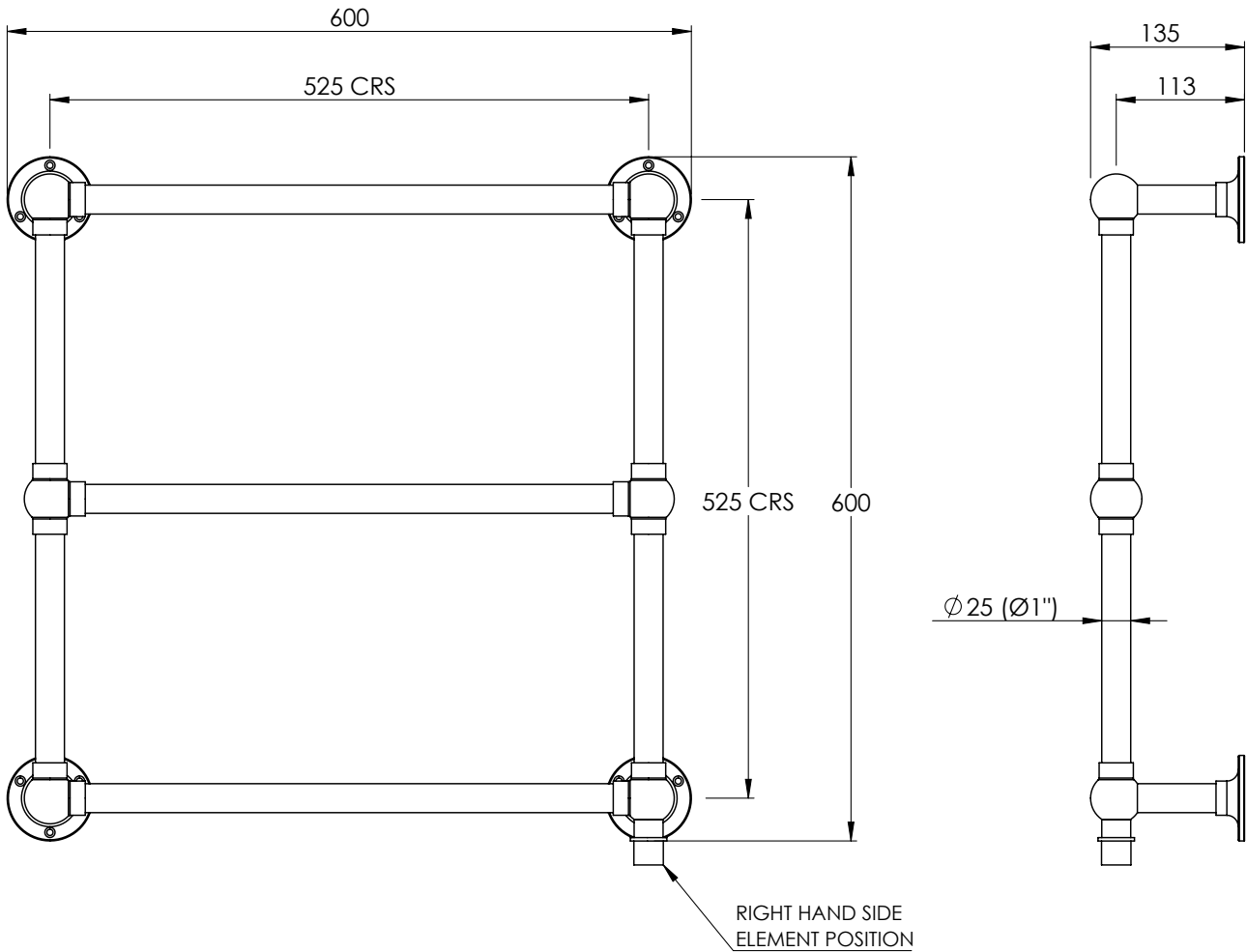
# LB3208SE

CLASSIC 3 BAR WALL MOUNTED TOWEL WARMER -  
SEALED ELECTRIC

## DIMENSIONAL DATA SHEET

DATE: 25/09/20

REVISION: A



COPYRIGHT © LBIP LTD. ALL RIGHTS RESERVED

TEST PRESSURE: 6 BAR

ELECTRIC ELEMENT ( W ): 75W

ELECTRICAL ELEMENT IP RATING IPX5

DIMENSIONS IN MILLIMETRES



**LEFROY BROOKS**

IBROC HOUSE ESSEX ROAD  
HODDESDON HERTS EN11 0QS UK  
T: +44 (0)1992 708 316 F: +44 (0)1992 708 317

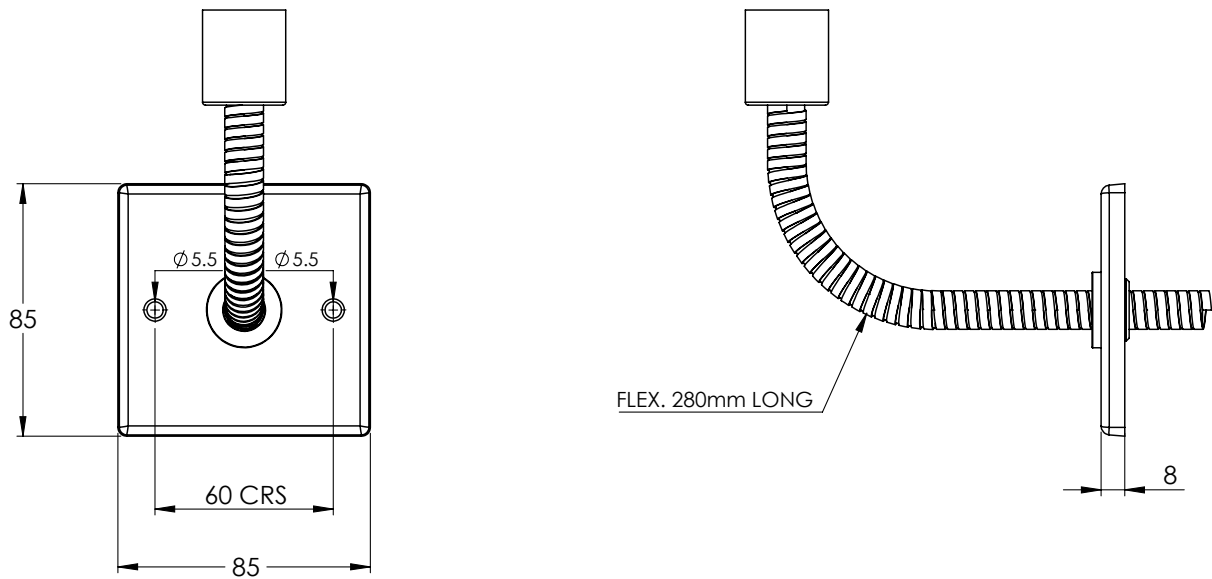
**LB3208SE**

ELECTRIC KIT

DIMENSIONAL DATA SHEET

DATE: 25/09/20

REVISION: A



COPYRIGHT © LBIP LTD. ALL RIGHTS RESERVED

THIS LEFROY BROOKS RAIL IS SUITABLE FOR CLOSED CIRCUITS ONLY.

DIMENSIONS IN MILLIMETRES