



LEFROY BROOKS

IBROC HOUSE ESSEX ROAD
HODDESDON HERTS EN11 0QS UK
T: +44 (0)1992 708 316 F: +44 (0)1992 708 317

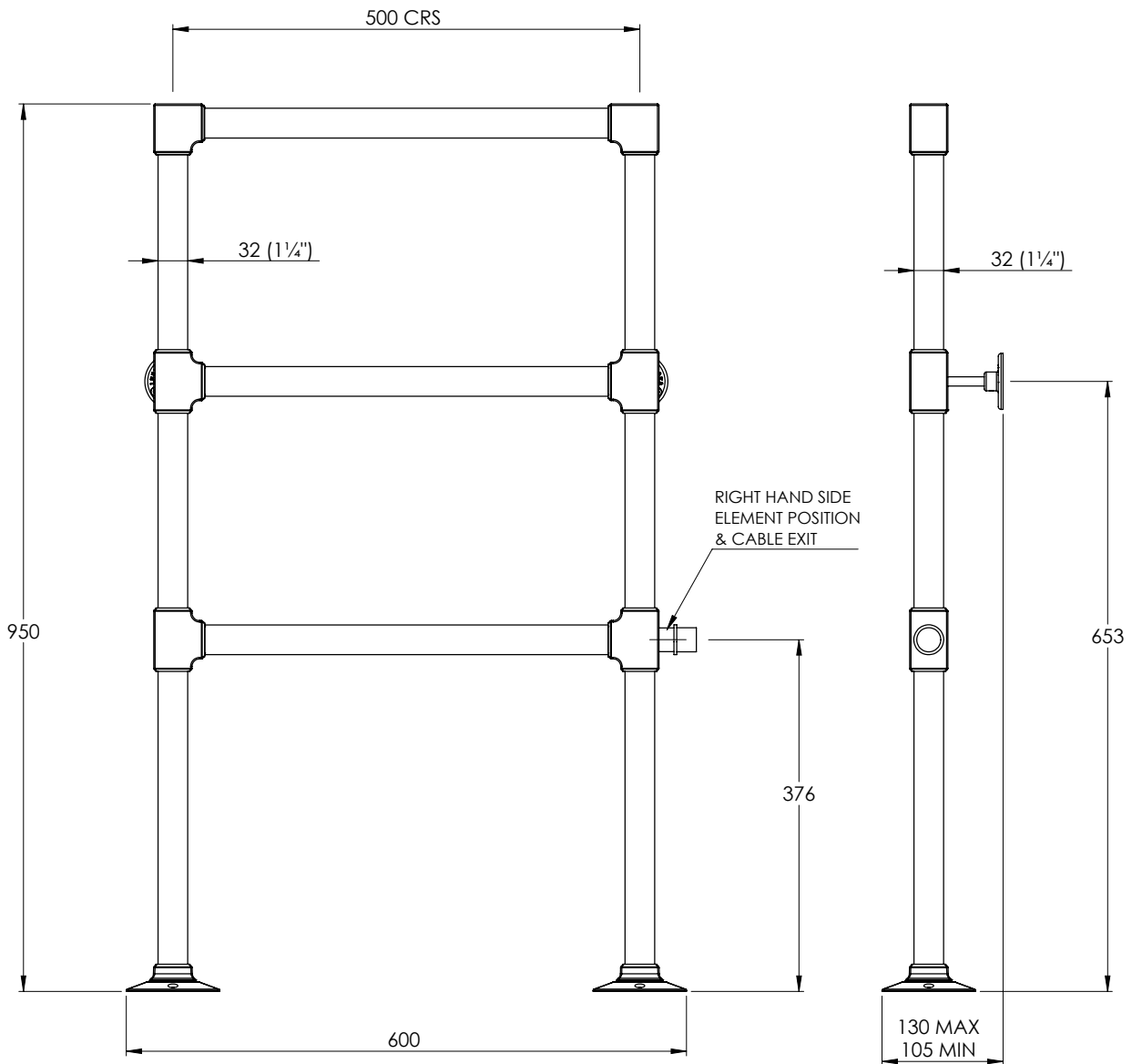
MK3212SE

MACKINTOSH FLOOR STANDING TOWEL WARMER -
SEALED ELECTRIC

DIMENSIONAL DATA SHEET

DATE: 09/11/18

REVISION: A



COPYRIGHT © LBIP LTD. ALL RIGHTS RESERVED

TEST PRESSURE: 6 BAR

ELECTRIC ELEMENT (W): 125

ELECTRICAL ELEMENT IP RATING: IPX5

DIMENSIONS IN MILLIMETRES



LEFROY BROOKS

IBROC HOUSE ESSEX ROAD
HODDESDON HERTS EN11 0QS UK
T: +44 (0)1992 708 316 F: +44 (0)1992 708 317

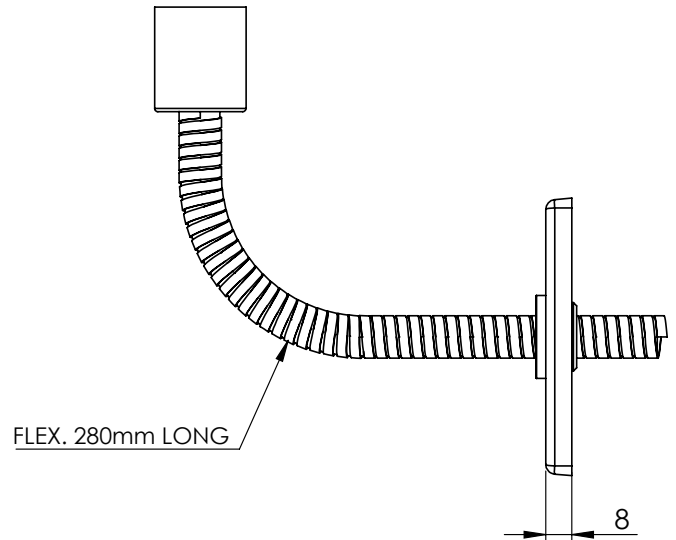
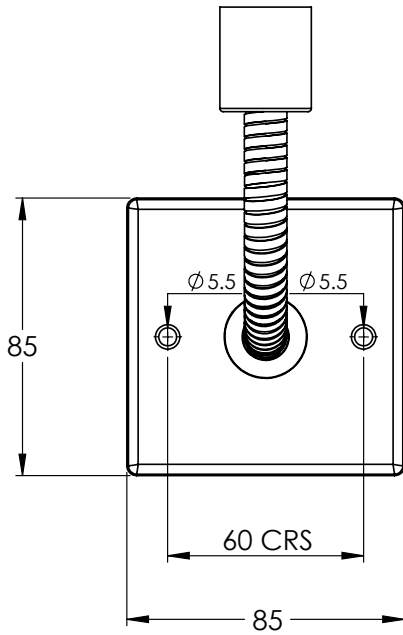
MK3212SE

ELECTRIC KIT

DIMENSIONAL DATA SHEET

DATE: 09/11/18

REVISION: A



COPYRIGHT © LBIP LTD. ALL RIGHTS RESERVED

DIMENSIONS IN MILLIMETRES

WHILST EVERY EFFORT IS MADE TO ENSURE THE ACCURACY OF THESE DATA SHEETS THEY ARE SUBJECT TO CHANGE WITHOUT NOTICE AS PART OF THE COMPANY'S PRODUCT DEVELOPMENT PROCESS