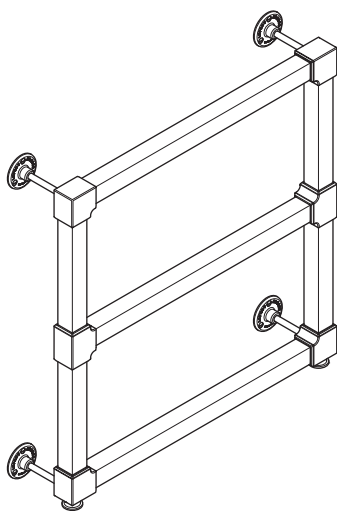
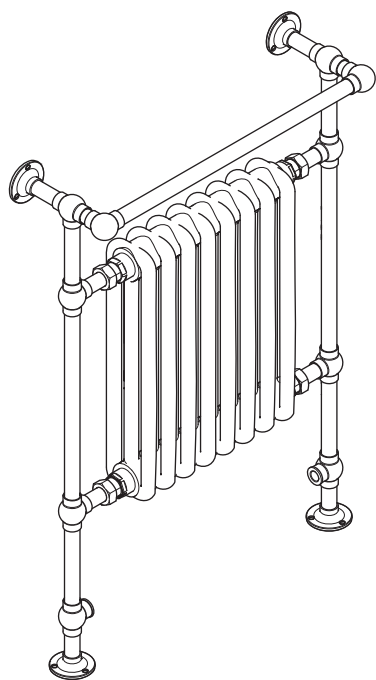


# TOWEL WARMER

## INSTALLATION GUIDE

---



---

LEFROY BROOKS



## IMPORTANT INFORMATION

### Inspection

Every effort has been made to ensure that your product is delivered complete and without damage. Please report any discrepancies before installation. Your product is thoroughly inspected before being packaged and despatched to you. However, your product may have been damaged during transit. The product may have been damaged without damaging the outer packaging. For this reason, upon delivery, it is important that you inspect the product and notify your supplier of any damage immediately. Failure to do so may invalidate your guarantee.

Do not install a product that is received damaged.

Guarantee expenses will not be considered for the product or labour relating to the installation of damaged product.

### Professional installation

#### *Hydronic & Dual Fuel*

We recommend that our products are fitted by a fully qualified professional plumber/heating engineer. They should be installed correctly and in accordance with all local water regulations. Electrical installation on Dual Fuel models should be conducted by a fully qualified professional electrician in accordance with current regulations.

Towel warmers with radiator inserts are suitable for closed circuit heating systems only.

#### *Sealed Electric*

We recommend that our products are fitted by a fully qualified professional electrician in accordance with current regulations.

### Location

When choosing a location for the towel warmer ensure that there is sufficient clearance to doors and shower cubicles etc. Always ensure that mounting surfaces are load bearing and are suitable structures to accept the product weight and fixings.

### Safe operating temperature

#### *Hydronic & Dual Fuel*

To prevent the risk of burns we recommend that the water temperature within the towel warmer is between 49°C and 60°C. Exceeding this will result in a burn hazard.

#### *Sealed Electric*

Depending on the model, the towel warmer will operate at approximately 49°C to 55°C.

### Guarantee

Your product is guaranteed against faulty manufacture and materials for a period of 5 years from the original installation date, with the exception of electrical elements on Dual Fuel and Sealed Electric products that are guaranteed for 12 months from the original installation date. The guarantee is limited to the product only and is not applicable to installation and removal costs. The guarantee is subject to correct installation. For Hydronic & Dual Fuel towel warmers the guarantee is subject to annual maintenance of the heating system. This must be in accordance with local codes of practice. In the United Kingdom we recommend that maintenance of the heating system follows the guidance given in the current edition of BS 7593 – Code of practice for the preparation, commissioning and maintenance of domestic central heating and cooling water systems. Brass towel warmer failure due to dezincification is NOT covered under this guarantee.

### Product care

To retain the appearance of your towel warmer we recommend an occasional wipe with a damp cloth, or alternatively, a cloth with a small amount of mild soapy water. When clean and dry, buff with a clean soft duster, avoid excessive rubbing. Please refer to the cleaning instruction sheet supplied with the product. If you have any questions please telephone the helpline number listed at the rear of this guide. **DO NOT** use abrasive cleaning products which can damage the surface finish.

### Water quality – Hydronic & Dual Fuel

Your towel warmer is made using the finest dezincification brass (DZR). However, we recommend checking with the local water authority to ensure that the water quality will not cause dezincification of the brass material. Brass towel warmer failure due to dezincification is **NOT** covered under this guarantee.



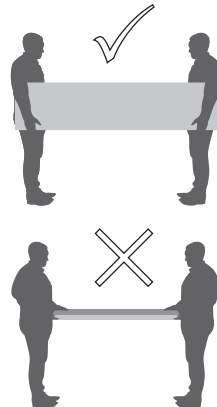
**WARNING** – When installing Sealed Electric and Dual Fuel towel warmers the electric supply to the fused spur must be off before working on the towel warmer.

It is important to select suitable fixings for the mounting surfaces. Before drilling the mounting surfaces ensure that there are no hidden pipes or wiring.

### Safety notice

Towel warmers can be heavy, depending on size. One person should be sufficient to lift the towel warmer. If for any reason the weight of the towel warmer is considered too heavy then obtain assistance.

- When lifting always keep your back straight. Bend your legs and not your back.
- Avoid twisting at the waist. It is better to reposition your feet.
- Avoid upper body/top heavy bending. Do not lean forward or sideways whilst handling the towel warmer.
- Always grip with the palm of the hand. Do not use the tips of fingers for support.
- Always keep the towel warmer as close to the body as possible. This will minimise the cantilever action.
- Use gloves to provide additional grip.



## INSTALLATION – HYDRONIC

- 1 Protect the towel warmer from damage during installation.
  - 2 Locate the towel warmer on to the mounting surfaces.
  - 3 Use a spirit level to ensure that the towel warmer is level. On floor mounted models ensure that the top and bottom are equidistant from the wall.
  - 4 Using a pencil or fine marker, mark the location of the screw holes.
  - 5 Remove the towel warmer and using a suitable sized drill bit for the chosen fixings, drill the mounting surfaces.
  - 6 Secure the towel warmer using suitable fixings.
  - 7 Introduce water into the towel warmer and vent using the bleed valve located at the top of the warmer.
  - 8 Check all joints for water tightness. Check again after 24 hours to ensure integrity.
- 

## USING YOUR TOWEL WARMER – HYDRONIC

Your towel warmer has been designed for continuous use and can be used for towels and some items of clothing. Although not intended as a room heater, your towel warmer will contribute a small amount of heat when used in small bathrooms, toilets or cloak rooms with low heat losses.

Towel warmers typically take 20 to 30 minutes to reach full operating temperature.

---

## MAINTENANCE – HYDRONIC

Occasional venting of air from the towel warmer may be required depending upon how the system is set up. If a cool zone occurs at the top of the towel warmer then it is usually an indication that air needs to be vented.

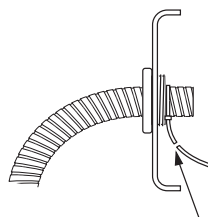
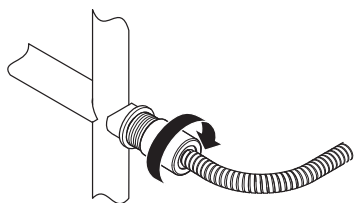
To prevent seizure, the valves should be turned every 6 months.

## INSTALLATION – DUAL FUEL

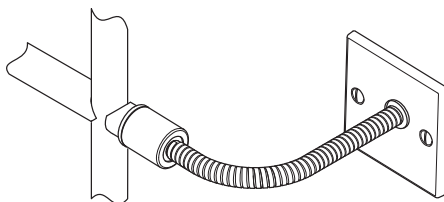
- 1 Protect the towel warmer from damage during installation.
- 2 Locate the towel warmer on to the mounting surfaces.
- 3 Use a spirit level to ensure that the towel warmer is level. On floor mounted models ensure that the top and bottom are equidistant from the wall.
- 4 Using a pencil or fine marker, mark the location of the screw holes.
- 5 Remove the towel warmer and using a suitable sized drill bit for the chosen fixings, drill the mounting surfaces.
- 6 Secure the towel warmer using suitable fixings.
- 7 Introduce water into the towel warmer and vent using the bleed valve located at the top of the warmer.
- 8 Check all joints for water tightness. Check again after 24 hours to ensure integrity.

---

## ELECTRICAL CONNECTION – DUAL FUEL



Remove excess from cable tie



- 1 Cut the flexible cover to the required length.
- 2 Feed the flexible cover over the electric cable and screw the end onto the electric element.
- 3 Feed the cable and flexible cover through the wall plate and secure the flexible cover in place with the nylon tie. Cut the excess from the nylon tie.

- 4 Connect the electrics and fit the wall plate to a non switched fused spur outlet. The on/off switched outlet should be located away from any water source and fitted outside the room containing the towel warmer.

DO NOT switch the electric element on until the towel warmer has been filled with water. Ensure that one valve is open before doing so.

## USING YOUR TOWEL WARMER – DUAL FUEL

Your towel warmer has been designed for continuous use and can be used for towels and some items of clothing. Although not intended as a room heater, your towel warmer will contribute a small amount of heat when used in small bathrooms, toilets or cloak rooms with low heat losses.

Towel warmers typically take 20 to 30 minutes to reach full operating temperature.

**IMPORTANT** – The electric heating element is for use when the central heating system is off. **DO NOT** use the electric element with the central heating system on, or timed to come on during the time that the electric element is on.

When using the electrical element it is critical that one towel warmer valve is open and one is closed. Failure to set the valves correctly will cause irreparable damage to the towel warmer.

A programmer/timer can be used to control the electric heating element. The electric element is not fitted with an on/off switch and is not adjustable.

---

## MAINTENANCE – DUAL FUEL

Occasional venting of air from the warmer may be required depending upon how the system is set up. If a cool zone occurs at the top of the warmer then it is usually an indication that air needs to be vented from the towel warmer.

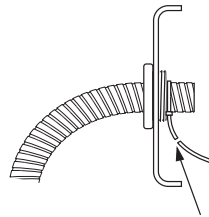
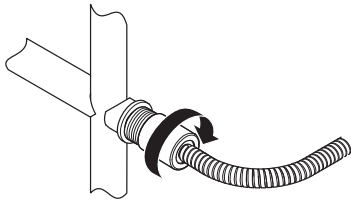
To prevent seizure, the valves should be turned every 6 months.

## INSTALLATION – SEALED ELECTRIC

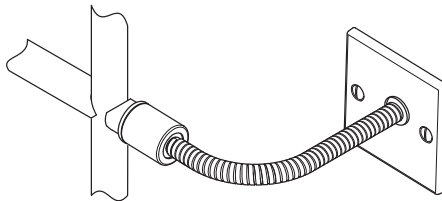
- 1 Protect the towel warmer from damage during installation.
- 2 Locate the towel warmer on to the mounting surfaces.
- 3 Use a spirit level to ensure that the towel warmer is level and that the top and bottom are equidistant from the wall.
- 4 Using a pencil or fine marker, mark the location of the screw holes.
- 5 Remove the towel warmer and using a suitable sized drill bit for the chosen fixings, drill the mounting surfaces.
- 6 Secure the towel warmer using suitable fixings.

---

## ELECTRICAL CONNECTION – SEALED ELECTRIC



Remove excess from cable tie



- 1 Cut the flexible cover to the required length.
- 2 Feed the flexible cover over the electric cable and screw the end onto the electric element.
- 3 Feed the cable and flexible cover through the wall plate and secure the flexible cover in place with the nylon tie. Cut the excess from the nylon tie.
- 4 Connect the electrics and fit the wall plate to a non switched fused spur outlet. The on/off switched outlet should be located away from any water source and fitted outside the room containing the towel warmer.

**DO NOT** switch the electric element on until the towel warmer has been filled with water. Ensure that one valve is open before doing so.



## USING YOUR TOWEL WARMER – SEALED ELECTRIC

Your towel warmer has been designed for continuous use and can be used for towels and some items of clothing. Although not intended as a room heater, your towel warmer will contribute a small amount of heat when used in small bathrooms, toilets or cloak rooms with low heat losses.

Towel warmers typically take 20 to 30 minutes to reach full operating temperature.

A programmer/timer can be used to control the electric heating element. The electric element is not fitted with an on/off switch and is not adjustable.







CONTRACT ENQUIRIES

+44 (0)1992 708 316

[info@lefroybrooks.co.uk](mailto:info@lefroybrooks.co.uk)

CUSTOMER SERVICE, SPARES & TECHNICAL ENQUIRIES

+44 (0)1902 390 894

[technical@lefroybrooks.co.uk](mailto:technical@lefroybrooks.co.uk)

LEFROYBROOKS.CO.UK

---

Whilst every effort is made to ensure the accuracy of these, they are subject to change without notice as part of the company's product development process. The use of trademarks, product design and artwork is subject to licence or agreement with LBIP Ltd. The design registrations, trademark registrations and copyrights are protected by law and the use or reproduction outside the terms of an agreement is prohibited. The right to modify designs and dimensions is reserved. LBIP Ltd is a member of ACID (Anti Copying in Design). E&OE