



LEFROY BROOKS

IBROC HOUSE ESSEX ROAD
HODDESDON HERTS EN11 0QS UK
T: +44 (0)1992 708 316 F: +44 (0)1992 708 317

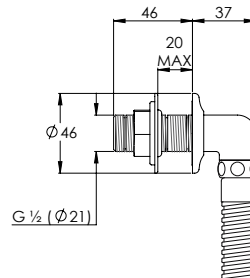
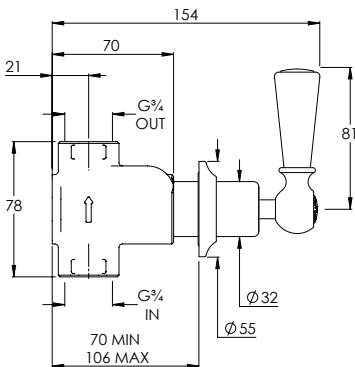
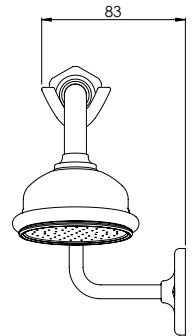
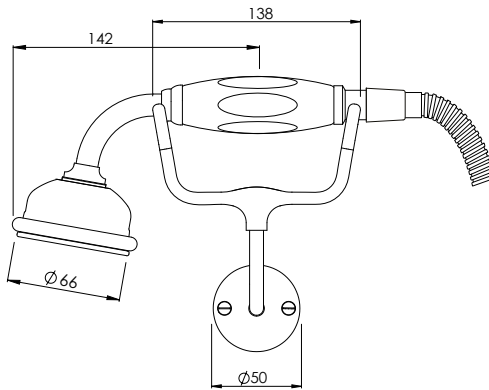
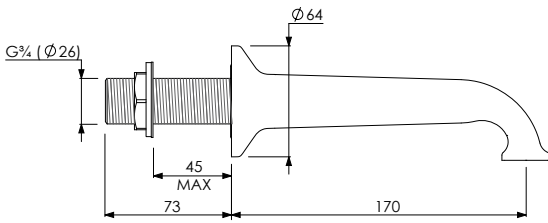
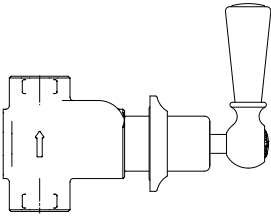
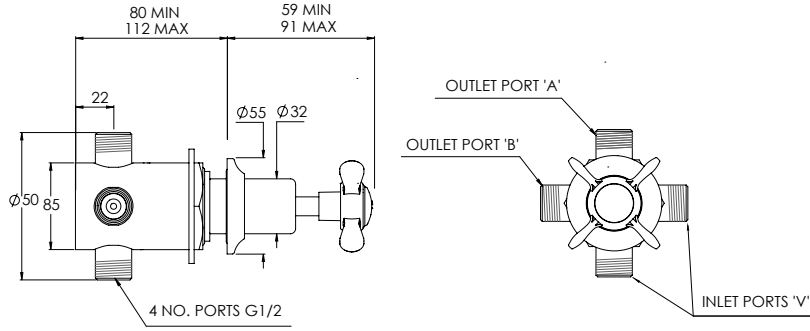
WL1247

CLASSIC WHITE LEVER WALL MOUNTED FIVE HOLE
BATH FILLER WITH DIVERTER & HAND SHOWER

DIMENSIONAL DATA SHEET

DATE: 15/03/2024

REVISION: A



DIMENSIONS IN MILLIMETRES

COPYRIGHT © LFB LTD. ALL RIGHTS RESERVED