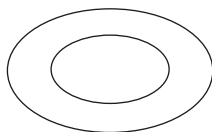
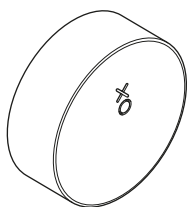


XO4199
JO OVERFLOW / BATH FILL
WITH FLIP TOP BATH WASTE KIT
INSTALLATION GUIDE



LEFROY BROOKS

IMPORTANT INFORMATION

Professional installation

We recommend that our products are fitted by a fully qualified professional plumber. They should be installed correctly and in accordance with all local water regulations. All products should be accessible for routine servicing.

Suits all systems

This Lefroy Brooks product is potentially suitable for every possible application, type of boiler and water supply pressure. However, if your supply pressure is below 1 bar it is advisable to fit a water pump. For systems with combination boilers, it is not advisable to fit pumps (refer to boiler manufacturer).

Supply connections

Lefroy Brooks do not supply any pipework for this product as it can be installed to individual installation designs or requirements. Connections should be made using G $\frac{3}{4}$ tap connectors (not compression fittings).

Supply temperature safety notice

To comply with local building regulations, current legislation, relevant standards and codes of practice a thermostatic mixing valve (TMV) should be fitted (not supplied) to the hot supply. This will restrict the temperature to a safe working maximum temperature. Maximum allowed temperatures vary subject to type of installation or specification of building.

Balancing flow

If there is a significant difference in water pressures between hot & cold supplies, we recommend an in-line flow suppressor/regulator (not supplied) be fitted. This should be fitted to whichever has the greater flow rate, in an accessible position close to the valve.

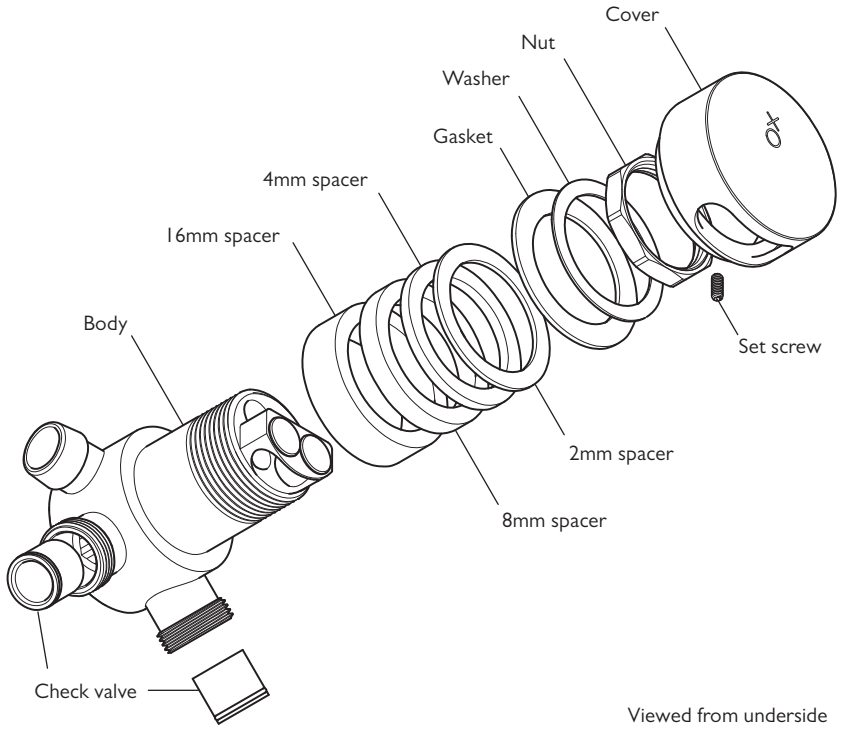
Water quality

In hard water areas, a suitable water treatment system should be provided to prevent limescale deposits (calcium deposits) which may effect the long term performance of the ceramic cartridges. Exterior surfaces should be gently wiped with a dry soft cloth after use to minimise water stains and limescale deposits.

Flushing system

It is most important to flush out all pipework thoroughly before connecting the product.

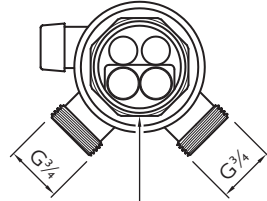
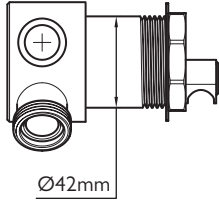
IDENTIFICATION



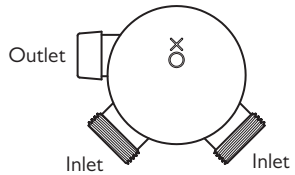
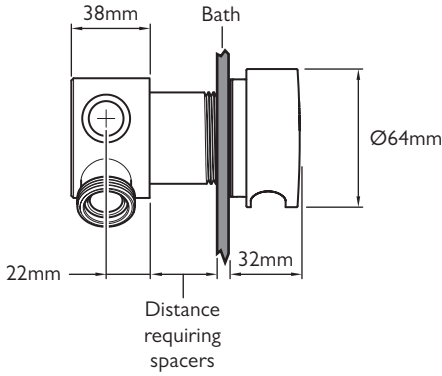
Viewed from underside

DIMENSIONS & SPACER DEPTHS

The XO4199 is designed to fit a 43mm diameter opening.
 A metal adapter flange (XO4198) is available for 52mm to 55mm diameter openings.



Flat on nut to be
Horizontal when fitted



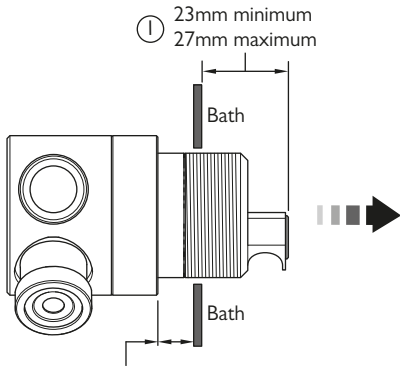
Spacer Chart

Measured distance (mm) requiring spacers and spacers required.

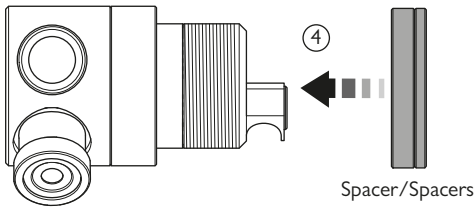
Spacer	2	4	6	8	10	12	14	16	18	20	22	24	26	28	30
2mm	✓														
4mm		✓	✓			✓	✓			✓	✓			✓	✓
8mm				✓	✓	✓	✓					✓	✓	✓	✓
16mm								✓	✓	✓	✓	✓	✓	✓	✓

INSTALLATION GUIDELINES

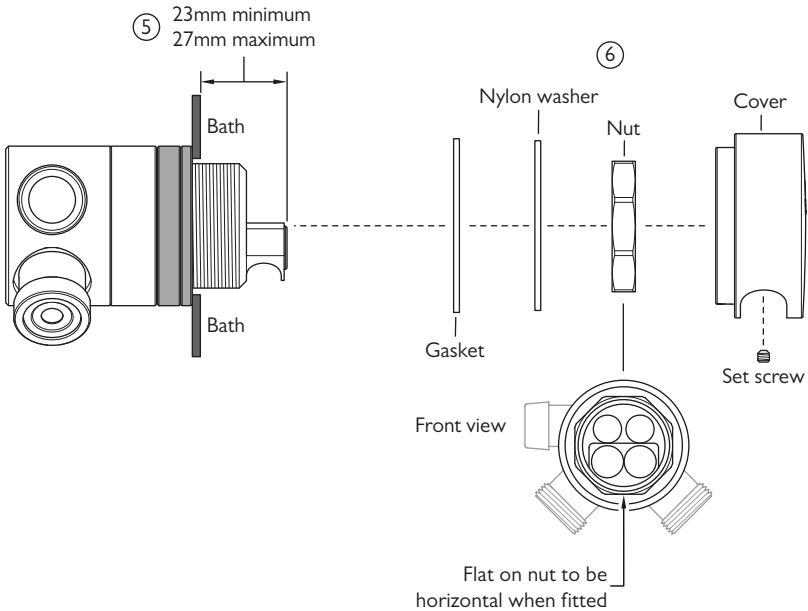
- 1 Locate the valve body through the opening in the bath so that the front of the valve protrudes between 23mm minimum and 27mm maximum.
 - 2 Measure the distance from the rear of the mounting face to the shoulder on the valve.
 - 3 Refer to the spacer chart on the previous page and select the appropriate spacers for the measured distance.
 - 4 Remove the valve from the opening and place the chosen spacers onto the valve body then locate the valve back in to the opening.
 - 5 Check that the valve protrudes between 23mm minimum and 27mm maximum. If not, then select alternative spacers.
 - 6 Secure the valve using the gasket, washer and nut. Tighten by hand. Tighten the nut fully ensuring the flat at the bottom is horizontal. Locate the cover and secure using the set screw and a 2mm hexagonal key.
 - 7 Attach the water connections. Hot and cold can be fitted to either side. Mixed supplies can be fitted to one or both inlets. If fitting to one inlet ensure that the other is capped.
 - 8 Attach the waste to the upper outlet.
 - 9 Pressure test the system and test for leaks.
- Please note that local regulations may require a vacuum breaker to be fitted.



② Measure distance from rear of bath to shoulder of valve body



③ Refer to the spacer chart and select the appropriate spacers to reproduce the measured distance.





CONTRACT ENQUIRIES

+44 (0)1992 708 316

info@lefroybrooks.co.uk

CUSTOMER SERVICE, SPARES & TECHNICAL ENQUIRIES

+44 (0)1902 390 894

technical@lefroybrooks.co.uk

LEFROYBROOKS.CO.UK

Whilst every effort is made to ensure the accuracy of these, they are subject to change without notice as part of the company's product development process. The use of trademarks, product design and artwork is subject to licence or agreement with LBIP Ltd. The design registrations, trademark registrations and copyrights are protected by law and the use or reproduction outside the terms of an agreement is prohibited. The right to modify designs and dimensions is reserved. LBIP Ltd is a member of ACID (Anti Copying in Design). E&OE