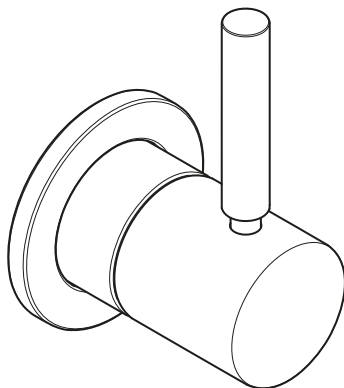


XO4219 / XO4220 / XO4222
WALL MOUNTED FLOW CONTROLS
INSTALLATION GUIDE



LEFROY BROOKS

IMPORTANT INFORMATION

Professional installation

We recommend that our products are fitted by a fully qualified professional plumber. They should be installed correctly and in accordance with all local water regulations and the system protected by non-return valves (not supplied). All products should be accessible for routine servicing.

Suits all systems

This Lefroy Brooks product is potentially suitable for every possible application, type of boiler and water supply pressure. However, if your supply pressure is below 1 bar it is advisable to fit a water pump. For systems with combination boilers, it is not advisable to fit pumps (refer to boiler manufacturer).

Supply connections

Lefroy Brooks do not supply any pipework or connectors for this product as it can be installed subject to individual installation designs or requirements. Connections should be made using G½ tap connectors (not compression fittings).

Flushing system

It is most important to flush out all pipework thoroughly before connecting the product. This is the single most common cause of cartridge failure.

Supply temperature safety notice

To comply with local building regulations, current legislation, relevant standards and codes of practice a thermostatic mixing valve (TMV) should be fitted (not supplied) to the hot supply. This will restrict the temperature to a safe working maximum temperature. Maximum allowed temperatures vary subject to type of installation or specification of building.

Balancing flow

If there is a significant difference in water pressures between hot & cold supplies, we recommend an in-line flow suppressor/regulator (not supplied) be fitted. This should be fitted to whichever has the greater flow rate, in an accessible position close to the valve.

Water quality

In hard water areas, a suitable water treatment system should be provided to prevent limescale deposits (calcium deposits) which may effect the long term performance of the ceramic cartridges. Exterior surfaces should be gently wiped with a dry soft cloth after use to minimise water stains and limescale deposits.

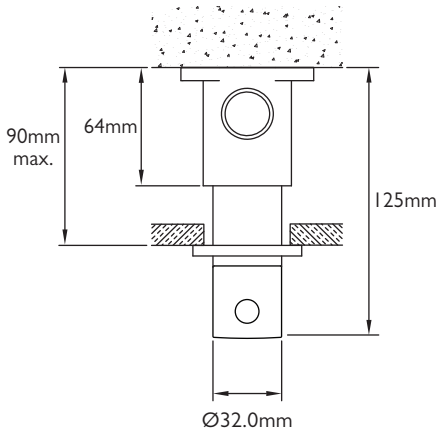
Servicing

All serviceable parts are available to maintain your Lefroy Brooks product.

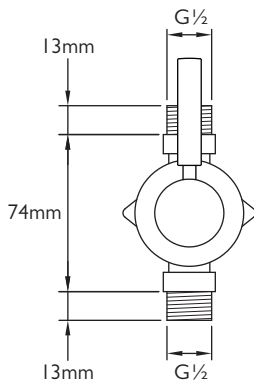
DIMENSIONS

XO4220

Plan view

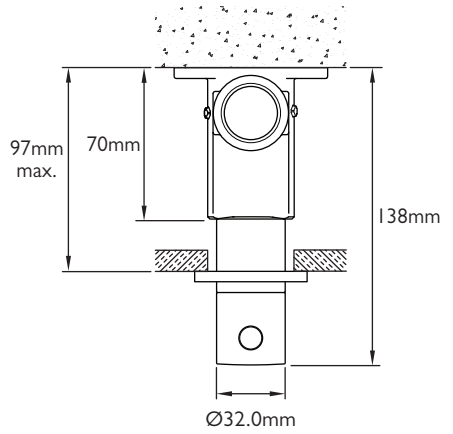


Front view

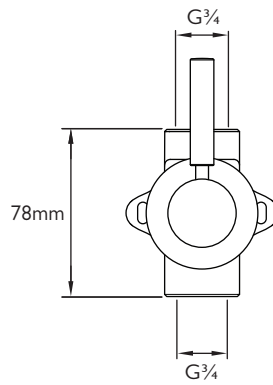


XO4219 & XO4222

Plan view

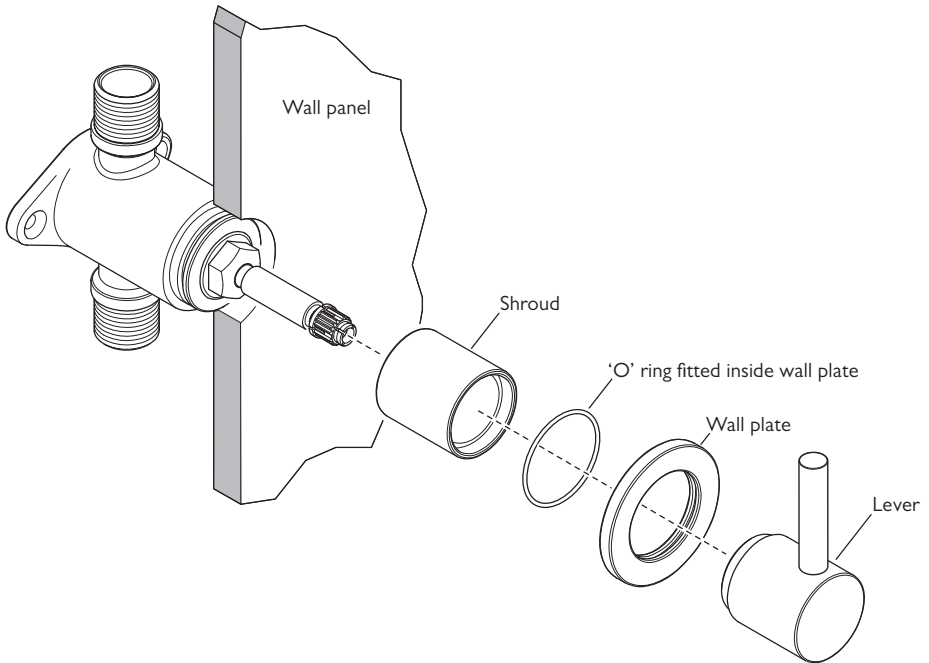


Front view



INSTALLATION

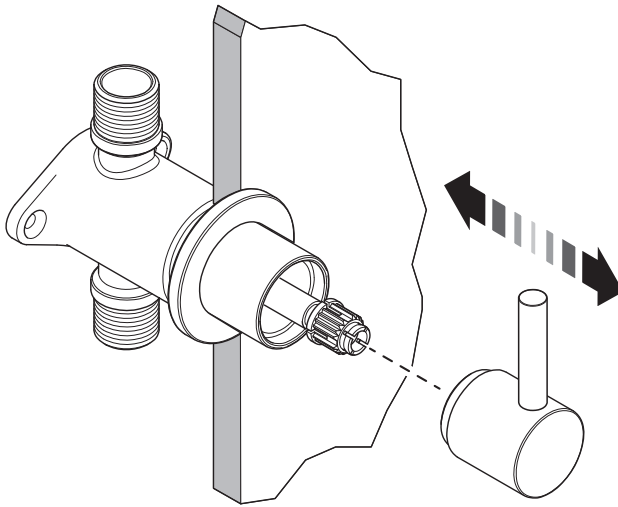
Shown with XO4220 valve.



- 1 Before installation the lever, wall plate and shroud will require removal from the valve body. Grasp the lever body and pull firmly in a straight line clear of the flow control body. Do not pull on the lever arm as this may cause damage.
- 2 The wall plate is retained by an 'O' ring. Slide the wall plate off the shroud.
- 3 Unscrew and remove the shroud.
- 4 Ensure that the valve bodies are mounted correctly. Arrows on the side of the valves indicate the direction of flow.
- 5 Use the correct water connections (tap connections). Do not use compression fittings.
- 6 When the installation is complete, check for leaks.
- 7 Fit the shroud, wall plate and lever in the reverse order.

SERVICING – HANDLE REMOVAL & REPLACEMENT

Shown with XO4220 valve.



Lever removal

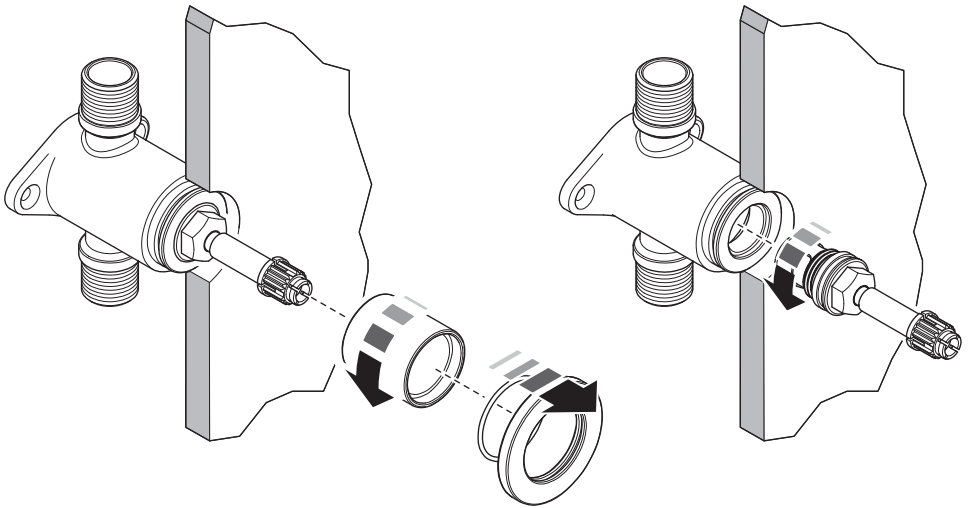
- 1 Grasp the lever body and pull firmly in a straight line clear of the flow control body. Do not pull on the lever arm as this may cause damage.

Lever fitting

- 1 Locate the lever onto the spline a little, then rotate the lever to check alignment. Adjust as required.
- 2 Push the lever firmly until it 'clicks' securely into position.

SERVICING – CERAMIC CARTRIDGE REMOVAL & REPLACEMENT

Shown with XO4220 valve.



XO4219 – $\frac{3}{4}$ " x $\frac{1}{4}$ " turn (clockwise closing) ceramic cartridge including plastic adapter – PWV099

XO4220 – $\frac{1}{2}$ " x $\frac{1}{4}$ " turn (clockwise closing) ceramic cartridge including plastic adapter – PXT024

XO4220 – $\frac{1}{2}$ " x $\frac{1}{4}$ " turn (counter clockwise closing) ceramic cartridge including plastic adapter – PXT025

XO4222 – $\frac{3}{4}$ " x $\frac{1}{4}$ " turn (clockwise closing) ceramic cartridge including plastic adapter – PWV099

XO4222 – $\frac{3}{4}$ " x $\frac{1}{4}$ " turn (counter clockwise closing) ceramic cartridge including plastic adapter – PWV100

- 1 Isolate the water supply and drain the system as required.
- 2 Remove the lever as in the previous section.
- 3 Slide the wall plate and 'O' ring off the shroud.
- 4 Unscrew and remove the shroud.
- 5 Using a 17mm a/f spanner or socket unscrew the ceramic cartridge and remove.
- 6 Check inside the valve body for any debris or limescale. Wipe clean as required.
- 7 Screw a new ceramic cartridge into the valve body and secure using a 17mm spanner or socket.
- 8 Open the water supply.
- 9 Check for leaks.
- 10 Assemble in reverse order.
- 11 Check operation of the cartridge.



CONTRACT ENQUIRIES

+44 (0)1992 708 316

info@lefroybrooks.co.uk

CUSTOMER SERVICE, SPARES & TECHNICAL ENQUIRIES

+44 (0)1902 390 894

technical@lefroybrooks.co.uk

LEFROYBROOKS.CO.UK

Whilst every effort is made to ensure the accuracy of these, they are subject to change without notice as part of the company's product development process. The use of trademarks, product design and artwork is subject to licence or agreement with LBIP Ltd. The design registrations, trademark registrations and copyrights are protected by law and the use or reproduction outside the terms of an agreement is prohibited. The right to modify designs and dimensions is reserved. LBIP Ltd is a member of ACID (Anti Copying in Design). E&OE